

BLESTBUY

Commodities at a Glance 2024



DISTRIBUTED BY:



Ancra.....	1-3	Little Trees.....	54
Armor All.....	4-5	Loctite	55-57
Bernzomatic	6	Lucas.....	58-59
Bussmann	7	M2 Professional.....	61-62
Cliplight.....	8-9	Milton	63-64
Continental.....	10	Mobil1	65
CPS.....	11-12	MotorVac	11-12
CRC.....	13-14	NLS Products.....	66-68
Dayco.....	15	Performance Tool (Wilmar).....	106
Dorman	16-17	Norton	69-71
Dupli-Color	18	Perfect Equipment.....	72
Energizer	19	Permatex.....	73-76
Fiamm.....	20	Phillips & Temro.....	77-80
FMSI.....	21-24	Pico	81-83
Forney	25-26	Prestone	84-87
Gorilla / Okeeffe's.....	27	Professional Cleaning.....	88
GPI.....	29-30	PTC.....	89
Grote	31-36	Ralston	90
Groupe BBH.....	37-38	Rislone.....	91-94
Hopkins	39-40	Rust Check.....	95
H Paulin.....	41	Sylvania.....	96-97
Irontite.....	42	Triple C Rubber & Plastics.....	98
Irving Blending & Packaging	43-46	UView.....	11-12
Irwin Tools / Lenox	47-49	Walker	99-102
JB Weld	50-51	WD-40.....	103-105
Kimberly-Clark.....	52-53	Wilmar (Performance Tool).....	106
		Worx Environmental Products.....	107



Winch Bars

PART#	DESCRIPTION	WEIGHT
42313-10	Standard Winch Bar	5.0lbs / 2.27kg
42313-12	Standard Combination Box End	6.5lbs / 2.95kg

FLATBED ACCESSORIES



3-Bar Winch

PART#	DESCRIPTION	WEIGHT
48101-143	Bottom Mount 3-Bar, Weld-On	11.3 lbs./5.13 kg WLL: 6,000 lbs./2,730 kg
48101-103	Side Mount 3-Bar, Weld-On	9.5 lbs./4.3 kg WLL: 6,000 lbs./2,730 kg



Corner Protectors

PART#	DESCRIPTION	WEIGHT
49584-10	12" Long Plastic. Extends approx. 3" to protect the load. Suitable for webbing up to 4" in width.	47 lb./21 kg.
43986-10	High Density Polymer Suitable for webbing up to 4" 5.25" wide and extends approx. 3.5" to protect the load.	.06 lb./0.03 kg.



Web Winches

Lighter 7mm heat treated frame
Also available in Ratcheting Models

PART#	DESCRIPTION	WEIGHT
43565-127	Web Storable Bottom Mount C Track Slider	8.3 lbs./3.8 kg. WLL: 6,000 lbs./2,730 kg
43565-157	Standard Bottom Mount C Track Slider	7.5 lbs./3.4 kg. WLL: 6,000 lbs./2,730 kg.
49207-127	Storable Double L Track Slider	6.8 lbs./3.09 kg. WLL: 5,500 lbs./2,500 kg.
49207-137	Standard Double L Track Slider	6.5 lbs./2.95 kg. WLL: 5,500 lbs./2,500 kg.



Winch Straps WLL: 5,400 lbs. / 2,450 kg

SIZE	GOOD	BETTER ANCRA BLUE	BEST ANCRA X-TREME
3-in. x 30-ft. Winch Strap w/ Flat Hook	41660-10-30	41660-80-30	41660-90-30
3-in. x 30-ft. Winch Strap w/ Chain Anchor	41660-14-30	41660-83-30	41660-93-30
4-in. x 30-ft. Winch Strap w/ Flat Hook	43795-10-30	43795-80-30	43795-90-30
4-in. x 30-ft. Winch Strap w/ Delta Ring	43795-11-30	43795-81-30	43795-91-30
4-in. x 30-ft. Winch Strap w/ Chain Anchor	43795-15-30	43795-85-30	43795-95-30



Transport Chain

Grade 70 Transport Chain meets NACM Standards.

BULK CHAIN	
45880-10	5/16" x 400' Wt: 408 lbs.
45880-11	3/8" x 200' Wt: 296 lbs.
45880-13	1/2" x 100' Wt: 521 lbs.
45880-12	1/4" x 400' Wt: 262 lbs.



FLATBED ACCESSORIES

CLEVIS HOOKS

45946-10	5/16" Wt: .85 lbs.
45946-11	3/8" Wt: 1.10 lbs
45946-13	1/2" Wt: 2.10 lbs
45946-12	1/4" Wt: .40 lbs



Also available in a box.



CHAIN W/ CLEVIS

45881-10-16T	5/16" x 16' WLL: 4,700 lbs.
45881-10-20T	5/16"x20'WLL:4,700lbs.
45881-10-25T	5/16" x 25' WLL: 4,700 lbs.
45881-11-16T	3/8" x 16' WLL: 6,600 lbs.
45881-11-20T	3/8" x 20' WLL: 6,600 lbs.
45881-11-25T	3/8" x 25' WLL: 6,600 lbs.
45881-13-20T	1/2" x 20' WLL: 11,300 lbs.
45881-13-25T	1/2" x 25' WLL: 11,300 lbs.



CHAIN CORNER PROTECTORS		WEIGHT
49377-10	Steel	1.10 lbs. / .50 kg
49377-11	Rubber Coated, Extends 4" to protect load.	1.9 lbs. / .86 kg
49756-10	Steel. For use with chain and straps.	1.26 lbs. / .57 kg.



Load Binders

Drop forged steel meeting FMCSA and DOT specifications. In three popular models.

LEVER LOAD BINDERS		
45943-10	Accepts 5/16" -3/8" Chain	WLL: 5,400 lbs.Wt. 9.0 lbs.
45943-10HD	Accepts 5/16" -3/8" Chain	WLL: 6,600 lbs.Wt. 9.4 lbs.
45943-11	Accepts 3/8"-1/2" Chain	WLL: 9,200 lbs.Wt. 11.9 lbs.



RECOILLESS LEVER LOAD BINDERS

45943-14	Accepts 5/16" -3/8" Chain	WLL: 5,400 lbs.Wt. 9.0 lbs.
----------	---------------------------	-----------------------------

LEVER BINDER LOCKING CLIP

50117-10	Securely holds binder handle	.40 lbs. / 0.18 kg.
----------	------------------------------	---------------------

RATCHET LOAD BINDERS

45943-20	Accepts 5/16" -3/8" Chain	WLL: 5,400 lbs.Wt. 10.4 lbs.
45943-20HD	Accepts 5/16" -3/8" Chain	WLL: 6,600 lbs.Wt. 10.5 lbs.
45943-21	Accepts 3/8"-1/2" Chain	WLL: 9,200 lbs.Wt. 11.8 lbs.



Other models available, see main catalog.



CARGO CONTROL PRODUCTS

Ratchet Tie Downs

PART#	DESCRIPTION
45982-11	2-in. x 30-ft. Ratchet Strap w/ Flat Hooks.
45982-43	2-in. x 30-ft. Ratchet Strap w/ Wire Hooks.

Also available in 3 and 4 inch materials.
We also offer the following products in Ancra Blue and Ancra X-Treme.

Ratchet Tie Downs 1-in. x 16-ft. WLL: 1,000 lbs./454 kg.

PART#	DESCRIPTION
43887-10	Mini Ratchet Strap w/ Wire Hooks and floating D Rings
10936-16	Contractor Grade S-Hook Utility Ratchet Strap
10936-16J	Contractor Grade J-Hook Utility Ratchet Strap

PART#	DESCRIPTION
95002	1" x 10' Ratchet Strap with S-Hooks, 2 pack
95005	1" x 10' Ratchet Strap with S-Hooks, 4 pack
SL91	1" x 15' Ratchet Strap with S-Hooks, 4 pack

Recovery Straps

PART#	LENGTH	WIDTH	MVW*	CARTON QTY	COLOUR
800-220	20'	2"	8,000 lbs	6	Gray
800-230	30'	2"	8,000 lbs	6	Gray
800-330	30'	3"	12,000 lbs	4	Gray
800-430	30'	4"	16,000 lbs	3	Gray
800-440	40'	4"	16,000 lbs	1	Blue
800-450	50'	4"	16,000 lbs	1	Red
800-630	30'	6"	24,000 lbs	2	Gray
800-1040	40'	10"	62,500 lbs	1	Blue

PART#	DESCRIPTION
900-115H	15' Recovery Strap System with Snap Hooks Also for use on ATV's

1,000 lbs Working Load Limit
3,000 lbs Break Strength

Eye to Eye Polyester Lifting Slings

PART#	SIZE
20-EE1-9801X3	1" X 3' Eye/Eye 1 Ply Sling
20-EE2-9802X3	2" x 3'
20-EE2-9803X10	3" x 10'

Please see catalog for more!



PROTECTANT



ORIGINAL PROTECTANT

- 10125 - 118ml
- 11300 - 300ml
- 78021 - 473ml
- 78024 - 946ml
- 18389 - 1.89L



MATTE FINISH

- 18209
- 473ml



ULTRA SHINE

- 32062
- 473ml

WASH



SNOW FOAM CAR WASH
19159
1.48L

CAR WASH
17485 - 1.89L
17740 - 715ml

ODOUR ELIMINATION



SMOKE X AIR FRESHENER
19036
99g

KITS



COMPLETE CAR CARE 5PC KIT
18378



FOAM CANNON KIT
19444

CLEANERS



MULTI-PURPOSE CLEANER
11068
473ml

OXI MAGIC CARPET & UPHOLSTERY CLEANER
10926
650ml

LEATHER CARE GEL
10882
532ml

PREMIUM LEATHER CARE
18981
473ml

TIRE & RIM



QUICKSILVER TIRE & RIM CLEANER
17654
710ml

EXTREME RIM CLEANER
40340
710ml

EXTREME TIRE SHINE GEL
11504
530ml

EXTREME TIRE SHINE
78026
650ml



WIPES



ORIGINAL PROTECTANT WIPES
10859 - 30 wipes
18254 - 20 wipes



MATTE FINISH PROTECTANT
18253
25 wipes



EXTREME SHIELD™ PROTECTANT
19160
25 wipes



CLEAN. SHINE. PROTECT.



GLASS WIPES
10850 - 30 wipes
18269 - 20 wipes



ORANGE CLEANING WIPES
10925
25 wipes



LEATHER WIPES
10856
30 wipes



CLEANING WIPES
10869 - 30 wipes
18255 - 20 wipes



4-PACK WIPES
10881
115 wipes

GREAT VALUE



BASIC TORCH
TS3500T
• Adjustable, Webbed Flame
• Trigger-Start Ignition
• Ergonomic Grip Handle
• Pressure Regulated for Consistent Performance when Inverted
• Compatible with Bernzomatic 14.1 oz Propane Fuel Cylinder



ADVANCE PERFORMANCE TORCH
TS4000T
• Swirl Flame
• Instant On/Off Ignition
• Continuous Flame Lock
• Pressure Regulated for Consistent Performance when Inverted
• Durable, Cast Body Construction
• Compatible with 14.1 oz MAP-Pro and 14.1 and 16 oz Propane Fuel Cylinders



UTILITY TORCH
WT2301
• Adjustable, Webbed Flame
• Trigger-Start Ignition
• Durable, Stainless Steel Burn Tube
• Designed for Upright Use
• Compatible with Bernzomatic 14.1 and 16 oz Propane Fuel Cylinders



OUTDOOR BACKYARD TORCH
JT850
• Adjustable, Wide Brush Flame
• Trigger-Start Ignition
• Slip-Resistant Handle with 36" Reach
• Compatible with 14.1 oz. or 16 oz. Propane Fuel; Sold Separately



MAKER DETAIL TORCH
ST2200T
• Adjustable, Precision Flame
• Trigger-Start Ignition
• Pistol Grip
• Continuous Flame Lock
• Includes 3 Interchangeable Tips: Micro Torch, Soldering Tip and Hot Blower
• Refillable with Butane Fuel



CLASSIC BRASS TORCH
UL2317
• Manual Ignition
• Durable Brass Torch Head
• Adjustable, Pencil Flame
• Best Used Upright
• Compatible with Propane Fuel, Sold Separately



CLASSIC BRASS TORCH KIT
UL100
• Adjustable, Pencil Flame
• Manual Start
• Durable Brass Torch Head
• Best Used Upright
• Compatible with Bernzomatic Propane Fuel, Included



MAX PERFORMANCE TORCH
TS8000T
• Adjustable, Ultra-Swirl Flame
• Instant On/Off Ignition
• Continuous Flame Lock
• Pressure Regulated for Consistent Performance when Inverted
• Durable, Cast Body Construction
• Compatible with Bernzomatic MAP-Pro® and Propane Fuel Cylinders, Sold Separately





BUSSMANN SERIES BATTERY TERMINAL AND MULTI-POLE AUTOMOTIVE FUSES
offer service technicians and DIYers a convenient, alternative source to new car dealerships and online websites.

Battery Terminal Fuses

Bussmann series battery terminal fuses The new Bussmann™ series battery terminal fuses (BTF) are original equipment equivalents to those installed in popular Chrysler®, Ford®, Lexus, Lincoln, Mercury, Mitsubishi, Nissan®, Scion, Subaru, Suzuki and Toyota® vehicles.

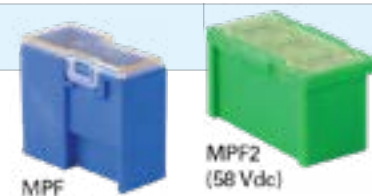


OEM CROSS REFERENCE DATA

BUSSMANN SERIES CATALOG NO.	VOLTS	FUSE CIRCUIT AMP RATING(S)	OEM PART NO.	VEHICLE MAKE
BTF-1P-80	32 Vdc	80	82211AG150	Subaru
			3673-950J00	Suzuki
BTF-1P-100	32 Vdc	100	MN164187	Mitsubishi
			3673-952J00	Suzuki
BTF-1P-120	32 Vdc	120	MN164188	Mitsubishi
			3673-966J00	Suzuki
BTF-1P-140	32 Vdc	140	82620-33040	Lexus, Scion, Toyota
			24380-JA70A	Nissan
BTF-2P-180120	32 Vdc	180, 120	68164797-AA	Chrysler
BTF-2P-200100	32 Vdc	200, 100	BR3Z-14526-AA	Ford
			AE5Z-14526-BA	Ford, Lincoln, Mercury
BTF-2P-250125	32 Vdc	250, 125	AL3Z-14526-AA	Ford
BTF-3P-1206080	32 Vdc	120, 60, 80	82620-52080A	Scion, Toyota
BTF-3P-1208080	32 Vdc	120, 80, 80	82620-52060A	Scion, Toyota

Multi-pole automotive fuses

The Bussmann™ series multi-pole fuses (MPF) are original equipment equivalents to those installed in popular Nissan®, Infiniti®, Toyota® and Lexus vehicles.



OEM CROSS REFERENCE DATA

BUSSMANN SERIES CATALOG NO.	FUSE CIRCUIT AMP RATINGS	COLOR CODE	OEM PART NO.	VEHICLE MAKE
32 VDC FUSES				
MPF-433X	40, 30, 30	Pink	24370-C9902	Nissan, Infiniti
MPF-444X	40, 40, 40	Green	24370-C9900	Nissan, Infiniti
MPF-533X	50, 30, 30	Red	24370-C9906	Nissan, Infiniti
MPF-534X	50, 30, 40	Blue	24370-C9907	Nissan, Infiniti
MPF-633X	60, 30, 30	Yellow	24370-C9904	Nissan
58 VDC FUSES				
MPF2-324X	30, 20, 40	Yellow	24370-C991C	Nissan
			24370-C991A	Nissan
MPF2-433X	40, 30, 30	Pink	90982-08308	Toyota, Lexus
			24370-C991B	Nissan, Infiniti
MPF2-444X	40, 40, 40	Green	90982-08299	Toyota, Lexus
			24370-C992A	Nissan, Infiniti
MPF2-533X	50, 30, 30	Red	90982-08300	Toyota, Lexus
			24370-C992B	Nissan, Infiniti
MPF2-534X	50, 30, 40	Blue	90982-08301	Toyota, Lexus
			24370-C992C	Nissan, Infiniti
MPF2-535X	50, 30, 50	Black	90982-08302	Toyota, Lexus
MPF2-555X	50, 50, 50	Maroon	90982-08303	Lexus



SOUNDLIGHT PRO

- 111122
- LED: 20W COB
- Bluetooth speakers - 2 x 3W
- Removable battery pack with 70 lumen light & USB port for charging devices
- 2000 Lumens 1 hour
- 1500 Lumens 1.5 hours
- 1000 Lumens 2.5 hours
- 500 Lumens 5 hours
- 60 Lumens 24 hours



PURIFIER™

- 170AIR
- Fresh Air Ozone Machine
- Incorporates the latest in ozone purification technology
- Eliminates mold, mildew, & bacteria from cabin interiors & rooms

- Removes even the most offensive & stubborn odors such as tobacco smoke
- Portable design - AC (100-240 V) & DC power
- 10 hour programmable timer with LCD



INCANDESCENT

- 101307
- 23 ft | 7 m SJOW 16/3 cable
- Grounded outlet handle
- 13 amp circuit breaker



PIVOT

- 111114
- 240 Lumens
- Strip array technology
- 5 LED flashlight
- Magnetic pivoting base and back
- 3 AA batteries included



SUPER SEAL™

- 946KIT
- Pro A/C Stop Leak
- Permanently seals & prevents leaks
- Seals leaks in evaporators, condensers, accumulators, O-rings, gaskets, metal lines, & rubber hoses
- Compatible with all oils & refrigerants
- Hose included



PAO 68 OIL & PAO 68 OIL + DYE

- 51110/51111
- Universal, high-quality, multi-grade synthetic oil
- Improves efficiency with quicker pull down times & lower vent temperatures
- Eliminates carrying different grades or viscosities of A/C lubricants
- Fill-up or top-up
- 51110 - 34 oz | 1 L
- 51111 - 34 oz | 1 L + UV Dye



- 909012B - MULTI-PURPOSE DYE
- 12 x 1/4 oz | 7.5 ml



- 900008 - A/C DYE
- 909008 - MULTI-PURPOSE DYE
- 8 oz | 240 ml





- HEMIMINI™**
114301
1000 lumens at 4 hours runtime
500 lumens at 8 hours runtime
- 4400 mAh smart lithium ion battery, rechargeable in 3.5 hours - charge anytime
 - Aircraft-grade aluminium chassis
 - 180° swivel hook
 - Mini-USB charger (100-240V)
 - Optional magnetic cover available
 - Replacement parts available



- HEMIPLUS™ 2**
114302
1200 Lumens at 4 hours run time
600 lumens at 8 hours run time
- 4400 mAh smart lithium ion battery, rechargeable in 4 hours - charge anytime
 - Aircraft grade aluminum chassis
 - 360° metal hook
 - Charging port
 - Removable magnetic cover included
 - Replacement parts available



- SLIMMINI™**
RECHARGEABLE LI-ON WORKLIGHT
114304
- 500/250 lumens COB
 - 100 lumens top flashlight
 - Type C connector cable
 - Super slim 14mm



- CLIPSTRIP™**
111112
140 Lumens
- Powerful pocket light
 - Strip array LED technology
 - 180° swivel magnetic clip
 - 3 AAA batteries included
 - Sold as 12 pack counter display



- 33 LED PIVOT**
24_458
160 Lumens
- 28 LED front | 5 LED top
 - 360° swivel hook
 - Magnetic pivoting base
 - 3 AA batteries included



- SPOTLIGHT MINI**
111111
- 600 and 300 Lumens - 5 W COB
 - Magnetic base
 - Adjustable joint for different angles
 - Li-ion rechargeable battery 2600 mAh
 - IP65 Waterproof
 - Micro USB charger cable included
 - Charger sold separately (PN 111111A)



- HEAVY DUTY TRI-TAP CORD REEL**
222315
- Tri-tap outlet
 - 15 amp circuit breaker
 - 50 ft. / 15.3m SJTW 12/3 cable



- CHROME TRI-TAP CORD REEL**
222308
- Tri-tap outlet
 - 13 amp circuit breaker
 - 30 ft. / 9.2m SJTW 14/3 cable

Shop Air Hose - Blue Rubber Airline Assembly

Designed for general shop air supply service up to 250psi. Heavy duty abrasion resistant rubber cover over fabric braided construction to provide long lasting service life.



PART#	DESCRIPTION
65131	1/4" X 25' BLUE RUBBER SHOP AIR HOSE WITH 1/4-18NPT COUPLINGS
65133	3/8" X 25' BLUE RUBBER SHOP AIR HOSE WITH 1/4-18NPT COUPLINGS
65134	1/2" X 25' BLUE RUBBER SHOP AIR HOSE WITH 1/2-14NPT COUPLINGS
65135	1/4" X 50' BLUE RUBBER SHOP AIR HOSE WITH 1/4-18NPT COUPLINGS
65137	3/8" X 50' BLUE RUBBER SHOP AIR HOSE WITH 1/4-18NPT COUPLINGS
65138	1/2" X 50' BLUE RUBBER SHOP AIR HOSE WITH 1/2-14NPT COUPLINGS

Shop Air Hose - F5 Blue Low Temperature TPE Airline Assembly

F5 is the highest rating for a tornado. F5 Air Hose is designed for general shop air supply service up to 300 PSI. Light weight and flexible hose with high abrasion resistant, non-marking Low Temperature TPE cover.



PART#	DESCRIPTION
65176	1/4" X 25' BLUE THERMOPLASTIC AIR HOSE WITH 1/4-18 NPT COUPLINGS
65177	1/4" X 50' BLUE THERMOPLASTIC AIR HOSE WITH 1/4-18 NPT COUPLINGS
65178	3/8" X 25' BLUE THERMOPLASTIC AIR HOSE WITH 1/4-18 NPT COUPLINGS
65179	3/8" X 50" BLUE THERMOPLASTIC AIR HOSE WITH 1/4-18 NPT COUPLINGS
65182	1/2" X 50" BLUE THERMOPLASTIC AIR HOSE WITH 1/2-14 NPT COUPLINGS

Shop Air Hose - Red Rubber Flexsteel Assembly

Designed for general shop air supply service up to 250psi. Heavy duty abrasion and oil resistant rubber cover over steel braided construction to provide long lasting service life. Great for abusive applications including resisting spark burn through in welding shops.



PART#	DESCRIPTION
65143	1/4" X 25' RED FLEXSTEEL SHOP AIR HOSE WITH 1/4-18NPT COUPLINGS
65144	3/8" X 25' RED FLEXSTEEL SHOP AIR HOSE WITH 1/4-18NPT COUPLINGS
65145	1/4" X 50' RED FLEXSTEEL SHOP AIR HOSE WITH 1/4-18NPT COUPLINGS
65146	3/8" X 50' RED FLEXSTEEL SHOP AIR HOSE WITH 1/4-18NPT COUPLINGS



SPOTGUN[®] INJECTION KITS

SPOTGUN[®] JR. INJECTION MASTER KIT 390200

- SpotGun[®] Jr Injector with Purge Valve Adapters
- R-134a and R-1234yf Couplers
- (4) Universal Oil Cartridges (1 oz/30 ml)
- (2) ExtenDye[™] Cartridges (1 oz/30 ml)
- (2) LeakGuard[™] OneShot Cartridges (1 oz/30 ml)
- UV Phazer[™]Black (AAA Batteries Included)
- UV Enhancing Glasses

SpotGun[®] Jr Injection Master Kit 390200



INJECTION MASTER KIT 490200

- SpotGun[®] Injector with Purge Valve Adapters
- R-134a and R-1234yf Couplers
- (2) SpotGun[®] Service Hose Assemblies
- (1) Universal Oil Cartridge (8 oz/240 ml)
- (1) ExtenDye[™] Cartridge (8 oz/240 ml)
- UV Phazer[™]Black (AAA Batteries Included)
- UV Enhancing Glasses



SpotGun[®] Injection Master Kit 490200

A/C EXTENDYE[™]

A/C ExtenDye[™] is enhanced with an additive package that extends the life and improves the efficiency of the A/C system.

- A/C ExtenDye[™] is a super-concentrated UV dye that includes a friction modifier to increase the lubricity of the compressor oil, improving efficiency (friction coefficient) by over 50%, improving fuel economy.
- It also includes an anti-wear additive which creates a film that prevents contact between metal parts; reducing friction and heat, thereby extending component life;
- plus it includes an antioxidant to stop the oxidation process, reducing acidity and prolonging oil life.
- SAE-J2297 certified dye
- Compatible with ALL A/C systems - R134a & R1234yf
- Hybrid Safe - Specially formulated to protect all hybrid AC system components (including electrically driven compressors)

A/C EXTENDYE[™] IS AVAILABLE IN THE FOLLOWING SIZES:

- | | |
|----------|---|
| 499108A | Spotgun Cartridge - 8 oz |
| 399020A | Spotgun Jr. Cartridge - 1 oz (Box of 4) |
| 399006A | Spotgun Jr. Cartridge - .25 oz (Box of 6) |
| 499008A | Bottle - 8 oz |
| B499024A | Bottle - 1 oz (Box of 6) |
| B499012A | Bottle - .25 oz (Box of 12) |



MULTI PURPOSE DYE / RADIATOR COOLANT DYE

MULTI-PURPOSE DYE BOTTLES

- B483206 (6X1oz)
- 483208 8oz
- Pinpoint leaks in engine oil, transmission, hydraulic, power steering, gasoline, and diesel fuel systems.



RADIATOR COOLANT DYE BOTTLES

- B483906 (6X1oz)
- Pinpoints leaks in cooling systems, including radiator, hoses, fittings, water pumps and head gaskets.



A/C OILS

UNIVERSAL A/C OIL W/ eBOOST

- 16oz. bottle
- 488016P - PAG Oil (R134a Only)
- 488016E - ESTER Oil
- eBOOST is a proprietary performance enhancing supplement developed to boost the performance of lubricants. When used in an air conditioning system eBOOST increases the lubricity and antiwear properties of A/C oil and rejuvenates rubber seals and O-rings.
- Quiets noisy compressors and extends life
- Helps seal leaks caused by dried out seals and o-rings



PAG OIL W/ A/C EXTENDYE[™]

- 8oz. bottle
- 488046PBD - PAG 46 (R134a Only)
- 488100PBD - PAG 100 (R134a Only)
- A/C ExtenDye[™] is a super-concentrated UV dye that includes an enhanced additive package to reduce wear, extend component life, and improve the efficiency of the A/C system.
- High quality A/C compressor lubricant
- Friction modifier, Anti-wear Additive & Antioxidant
- Hybrid Safe - Specially formulated to protect all hybrid AC system components (including electrically driven compressors).

For those who choose to use the OEM specified oil, we have it. And for those who desire simplicity and convenience, we have that too - a truly universal A/C oil. UVview 488046YF (8oz/240ml Cartridge) oils are formulated to work as service oil for all R1234YF, R134a and Hybrid applications. That's right-hybrid safe and OEM approved. One oil is all you need.



SPOTGUN A/C OIL CARTRIDGES ARE AVAILABLE IN THE FOLLOWING VISCOSITIES:

- | | |
|----------|--|
| 488046YF | PAG 46YF (R1234yf & R134a) - 8 oz |
| 488046P | PAG 46 (R134a) - 8 oz |
| 488100P | PAG 100 (R134a) - 8 oz |
| 488125P | PAG 125 (R134a) - 8 oz |
| 488150P | PAG 150 (R134a) - 8 oz |
| 488104H | Hybrid/Electric POE (R134a & R1234yf) - 4 oz |

As a reminder, installing oil using a sealed cartridge injection system assures the cleanest and driest oil reaches the AC system in exactly the correct dosage.

LEAKGUARD PROFESSIONAL A/C SEALANT

THE FIRST A/C SEALANT AVAILABLE TO BE CERTIFIED TO MEET SAE J2670 STANDARD!

LeakGuard permanently and safely seals A/C leaks in both rubber and metal components. Unlike other A/C sealants, LeakGuard is an oil-based sealant that does not have any of the dangerous side effects. It will not harden, crystallize, clog the A/C system or harm the recovery equipment.

- Professional A/C Stop Leak
- Permanently seals leaks
- Meets SAE J2670 A/C additive standard
- Safe for all A/C systems including R134a, R1234yf & Hybrid/Electric Vehicles
- Contains concentrated A/C dye
- Specifically formulated for slow leaks that can occur over a 6-12 month period (or a leak rate of 25oz/708g) per year. It can safely remain in the A/C system and prevent leaks from occurring in the future - an excellent preventive maintenance product!

LeakGuard is your OneShot for Oil, Dye & Sealer when servicing automotive A/C systems.



LEAKGUARD INJECTION KIT 480300

- Includes
- Spotgun Jr. Injection system
- Primer Cartridge
- 2 x (1 oz/30mL) Leakguard cartridge

LEAKGUARD 1oz. CARTRIDGE 480301

- Box of 4 (Priced per cartridge)
- *Compatible with Spotgun Jr.

LEAKGUARD 8oz. CARTRIDGE 480308

- *Compatible with Spotgun



crc-canada.ca

CRC CRC Canada Co.

CRC CRC Canada Co.

crc-canada.ca



Brakleen® Original
75089 539 g aerosol
75091 19 L pail



Brakleen® Premium Non-Chlorinated
75088 397 g aerosol



Brakleen® Premium Non-Chlorinated With PowerJet™ Technology
75050 397 g aerosol



Disc Brake Quiet
75016 118 mL bottle
75017 255 g Aerosol



GDI IVD™ Intake Valve & Turbo Cleaner
75320x6 311 g aerosol



1Tank Power Renew® Gasoline Formula
75815 444 mL bottle



FiberLock™ Head Gasket & Block Repair
75224 946 mL bottle



Posi-Trac™ Limited Slip Gear Oil Additive
742508 207 mL tube



Diesel Fuel Therapy Injector Cleaner With Anti-Gel
75212 888 mL bottle



Synthetic Brake & Caliper Grease
75353
340 g tub with brush



SensorKleen™ Mass Air Flow Sensor Cleaner
75110 312 g aerosol



Throttle Body Kleen™
75078 340 g aerosol



Engine Degreaser
75025 425 g aerosol



Clean-R-Carb®
75081 454 g aerosol



Power Lube Multi-Purpose Lubricant
75005 312 g aerosol



White Lithium Grease
14200 284 g aerosol



Knock'er Loose™ Penetrating Solvent
73020 369 g aerosol



Screwloose™ Super Penetrant
75330 312 g aerosol



Freeze-Off® Super Penetrant
75222 326 g aerosol



Battery Cleaner With Acid Indicator
75097 312 g aerosol



Gasket Kleen™
75021 340 g aerosol



Glass Cleaner
14100 510 g aerosol



De-Squeak™ Brake Conditioning Treatment
75080 319 g aerosol



Lectra-Motive™ Electrical Parts Cleaner
75018 539 g aerosol



Heavy Duty Silicone Lubricant
75074 213 g aerosol



Dry Graphite Lubricant
75101 320 g aerosol



Copper Anti-Seize Aerosol & Lubricating Compound
72095 340 g aerosol



Chain & Wire Rope Lubricant
73050 284 g aerosol



Rubberized Undercoating
75034 450 g aerosol



Battery Protector
75046 213 g aerosol



QD™ Electronic Cleaner
75012 128 g aerosol
75102 312 g aerosol



Jump Start® Starting Fluid With Lubricity
75671 312 g aerosol



Ice-Off™ Windshield Spray De-Icer
75346 340 g aerosol



Bug Blast™ Wasp & Hornet Killer
72010 397 g aerosol



6-56 Marine Multi Purpose Lubricant
76007 312 g aerosol



Foam Minimal Expansion Sealant
74077 340 g aerosol



Duster Aerosol Dust Removal System
74085 227 g aerosol



Cutting Oil
75500 340 g aerosol



SERVICE STATION AND SHOP AIR HOSE	
Part#	Description
80003	1/4" I.D. 50' Coupled (200PSI)
80005	3/8" I.D. with 3/8 Coupled 25' (200PSI)
80006	3/8" I.D. with 1/4" Coupled 25' (250PSI)
80007	3/8" I.D. with 1/4" Coupled 50' (250PSI)
80011	1/2" x 50' Coupled (200PSI)

MULTI-PURPOSE HOSE, PREMIUM	
Part#	Description
80036	3/4" I.D. 250' not coupled (300PSI)

MULTI-PURPOSE HOSE, STANDARD	
Part#	Description
80132	1/2" x 500' +/- 50'
80134	3/4" x 350' +/- 50'

TRANS OIL COOLER/POWER STEERING RETURN HOSE	
Part#	Description
80383	5/16" x 25'
80391	3/8" x 25'

ANTI-SMOG/PCV HOSE	
Part#	Description
80069	11/32" x 50'
80070	15/32" x 50'
80071	19/32" x 50'

DRIVEWAY SIGNAL HOSE	
Part#	Description
80186	3/8" x 50'
80187	3/8" x 100'
80189	3/8" x 200'

WINDSHIELD WASHER/VACUUM TUBING	
Part#	Description
80204	1/4" x 50'
80205	7/64" x 50'
80206	5/32 x 50'
80207	7/32" x 50'
80208	9/32" x 50'
80209	7/64" x 6'
80210	5/32" x 6'
80211	7/32" x 6'
80216	5/32" x 250'
80217	7/32" x 250'

FUEL LINE HOSE	
Part#	Description
80051	1/8" x 25'
80052	1/8" x 50'
80053	1/8" x 250'
80054	3/16" x 25'
80055	3/16" x 50'
80056	3/16" x 250'
80057	1/4" x 25'
80058	1/4" x 50'
80059	1/4" x 250'
80060	5/16" x 25'
80061	5/16" x 50'
80062	5/16" x 250'
80063	3/8" x 25'
80064	3/8" x 50'
80065	3/8" x 250'
80066	7/16" x 25'
80067	7/16" x 50'
80073	1/4" x 2'
80074	5/16" x 2'
80075	3/8" x 2'
93036	1/2" x 25'
93037	5/8" x 25'
93038	3/4" x 25'

HEATER HOSE, HEAVY DUTY DAYCO GOLD LABEL	
Part#	Description
80230GL	3/8" x 50'
80231GL	5/8" x 50'
80232GL	3/4" x 50'
80233GL	7/8" x 50'
80234GL	1" x 50'
80236GL	5/8" x 250'
80239GL	1" x 250'

HEATER HOSE, STANDARD BLACK	
Part#	Description
80257	1/4" x 50'
80258	5/16" x 50'
80259	3/8" x 50'
80270	1/2" x 50'
80271	5/8" x 50'
80272	5/8" x 250'
80273	3/4" x 50'
80274	3/4" x 250'

FUEL INJECTION HOSE, DAYPERM 11	
Part#	Description
80520	1/4" 2' Clamshell
80523	5/16" 2' Clamshell
80526	3/8" 2' Clamshell
80321	1/4" 10' Carton
80325	5/16" 10' Carton
80329	3/8" 10' Carton
80521	1/4" 25' Spool
80524	5/16" 25' Spool
80527	3/8" 25' Spool
80522	1/4" 250' Reel
80525	5/16" 250' Reel
80528	3/8" 250' Reel

HEATER HOSE, SILICONE DAYCO GOLD LABEL	
Part#	Description
80241GL	5/8" x 25'
80242GL	3/4" x 25'
80244GL	1" x 25'
80251GL	5/8" x 50'
80252GL	3/4" x 50'
80254GL	1" x 50'

HEATER HOSE, BLACK INSULONE	
Part#	Description
80312	1/2" x 50'
80314	5/8" x 50'
80315	5/8" x 250'
80316	3/4" x 50'
80317	3/4" x 250'
80319	1" x 50'



WASHER NOZZLE CLOGGED OR LEAKING?



58115

Chrysler 2016-01, Dodge 2020-04, Jeep 2010-07, Ram 2021-11, Volkswagen 2014-09

A GROWING CATALOG OF DIRECT FITMENT REPLACEMENT WASHER NOZZLES

58081
Ford 2010-08

58083
Jeep Compass 2017-11

58085
Ford 2018-03, Lincoln 2017-10, 2008-06, Mercury 2011-03

58093
Buick 2020-16, Cadillac 2020-15, Chevrolet 2020-14, Ford 2019-15, GMC 2020-14

FMP HAS THE FULL DORMAN LINE AVAILABLE TO ALL CUSTOMERS. IF WE DO NOT HAVE IT, WE WILL SPECIAL ORDER IT.



Contact your Factory Motor Parts Representative for more details.





DORMAN HANDLES AND CRANKS

Interior



**Window Handle
76912**

GM 1996-65



**Window Handle
76946**

Ford 2008-86, Mercury 1994-86



**Interior Door Handle
77178**

Ford 1998-80



**Interior Door Handle
80374**

Cadillac 2011-07,
Chevrolet 2014-07, GMC 2014-07



**Window Crank Handle
775-5603**

General Motors 2020,
General Motors 2018-95, Isuzu 2008-05



**Window Handle
Front Rear Left Right
767MXCD**

Ford 2019-93, Lincoln 2014-10,
Lincoln 2008-06, Mazda 2010-94

Exterior



**Tailgate Handle
Textured Black
80592**

Chevrolet 2014-07, GMC 2014-07,
Hummer 2010-09



**Exterior Door Handle Front Left/Right
81323**

Ford Focus 2011-08



**Exterior Door Handle Front Left
RFID with Passive Entry
81396**

Nissan Leaf 2013-11, Nissan Maxima 2015-09,
Nissan Murano 2014-08, Nissan Sentra 2015-13



duplicolor.com
krylon.ca
vhtpaint.com



PRIMERS



**GRAY HOT ROD
PRIMER
CDAP1692**



**BLACK HOT ROD
PRIMER
CDAP1698**



**WHITE
PRIMER
CDAP1689**



**SELF-ETCHING
PRIMER
CDAP1690**



**SCRATCH FILLER &
PRIMER
CFP101**

GENERAL PURPOSE ENAMEL



**GLOSS BLACK
CDA1600**



**SEMI-GLOSS
BLACK
CDA1603**



**FLAT BLACK
CDA1605**



**GLOSS WHITE
CDA1670**



**SCHOOL BUS
YELLOW
CDA1663**



**CRYSTAL CLEAR
CDA1692**

ENGINE PAINT



**GLOSS BLACK
CDE1613**



**CHEVROLET
ORANGE
CDE1620**



**RUBBERIZED
UNDERCOAT
CUC101**

UNDERCOAT

WHEEL COATING



**HIGH PERFORMANCE
SILVER
CHWP10100**



**HIGH PERFORMANCE
SATIN BLACK
CHWP104**



**HIGH PERFORMANCE
GLOSS BLACK
CHWP108**

RUST PROTECTORS

FLAMEPROOF™

CALIPER PAINT



**GLOSS BLACK
469001**



**GLOSS WHITE
469000**



**FLAT BLACK
CSP102**



**FLAT SILVER
CSP106**



**CAST ALUMINUM
CSP735**



**REAL RED
CSP731**



**GLOSS BLACK
CSP734**



energizer.ca



fiammcomponents.com



Strong, long-lasting alkaline batteries guaranteed not to leak!



- EN22 9V (12/pk)
- EN91 AA (24/pk)
- EN92 AAA (24/pk)
- EN93 C (12/pk)
- EN95 D (12/pk)



VISION HD FOCUS

EPMZH21E

- Durable aircraft grade aluminum construction
- MAXVIZ Technology to deliver a wide, powerful beam and high-definition vision
- Features LED technology



METAL PEN LIGHT

PLED23AEH

- Durable construction featuring a robust, metal clip
- Up to 4X Brighter than Standard LED Technology
- Features LED technology



WORK LIGHT

HCAL41E

- Exceptionally durable construction for the most demanding jobs
- Latest LED technology provides clear, bright light
- Wide angle 180° area light



TASK LIGHT

TUF2AAPE

- Rugged polymer and durable over-mold maximize shock absorption
- Smart Dimming technology for customized light output and extended runtime
- Features LED technology



VISION HD+ FOCUS HEADLIGHT™

HDD32E

400 Lumens

- Patented Digital Focus allows users to broaden or narrow the light beam
- Memory Recall feature allows users to quickly access preferred focus setting the next time the light is switched on



VISION HD+ FOCUS HEADLIGHT™

HDDIN32E

315 Lumens

- Patented Digital Focus allows users to broaden or narrow the light beam
- Memory Recall feature allows users to quickly access preferred focus setting the next time the light is switched on



AM80SX DUAL HORN KIT WITH MULTIPLE OE CONNECTORS
72031



AM80SX UNIVERSAL OE HIGH HORN KIT
72505



AM80SX UNIVERSAL OE LOW HORN KIT
72506



AM80SX UNIVERSAL OE DUAL HORN KIT
72507



90 HIGH TONE DISC HORN
40310

THE *BIG RED* PAIL from BESTBUY is perfect for...



PART# RED PAIL

...the garage, the yard, the truck, the worksite, the cottage, the boat, the...

PICK UP A BIG RED PAIL (OR TWO) AT YOUR LOCAL BESTBUY DISTRIBUTOR





FMSI EDELMANN FITTINGS
PROBLEM SOLVING AUTOMOTIVE HARDWARE

TUBE NUTS - UNION - TEE - ADAPTERS BRAKE LINES & COILS

• TUBE NUTS

Tube Nuts in the FMSI Edelmann Fittings catalog including Metric & Imperial Bubble Flare, Oversize Steel Invert Flare, Standard Steel Invert Flare, Stainless Steel Invert & Bubble Flare Tube Nuts.



• UNIONS

Brass Unions
Imperial, Metric
Invert, Bubble



• TEES

Union Tee
Street Tee
Male Branch Tee
Malr Run Tee
Male Branch Tee
Clamp Style Brass Tee

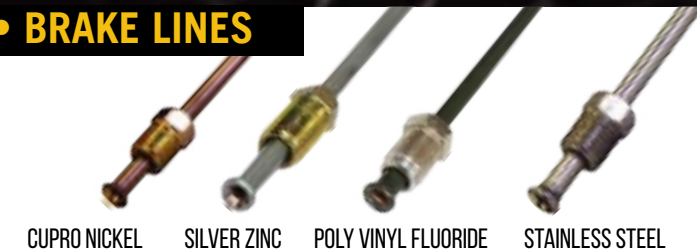


• ADAPTERS

Hydraulic Brake Master Cylinder Adapters
Transmission Oil Line Coolant Adapter
Invert Flare to SAE Flare Adapter
Special Fittings -
• AC Adapter
• Gauge Adapter
• Ford/Plymouth Adapter



• BRAKE LINES



CUPRO NICKEL SILVER ZINC POLY VINYL FLUORIDE STAINLESS STEEL

- Pre Cut Brake Lines & Coils
- Copperhead Cupro Nickel, 304 Stainless Steel, Rhinohide Poly Vinyl Fluoride, & Zinc

• COILS

CUPRO NICKEL
Superior Protection • Easy Bend and flare
• S.A.E. and I.S.O. Approved

STAINLESS STEEL
Easy Bend and Flare • Resistance to Corrosion

PVF POLY VINYL FLORIDE
Polymer Plastic Coating • Easy Bend and flare

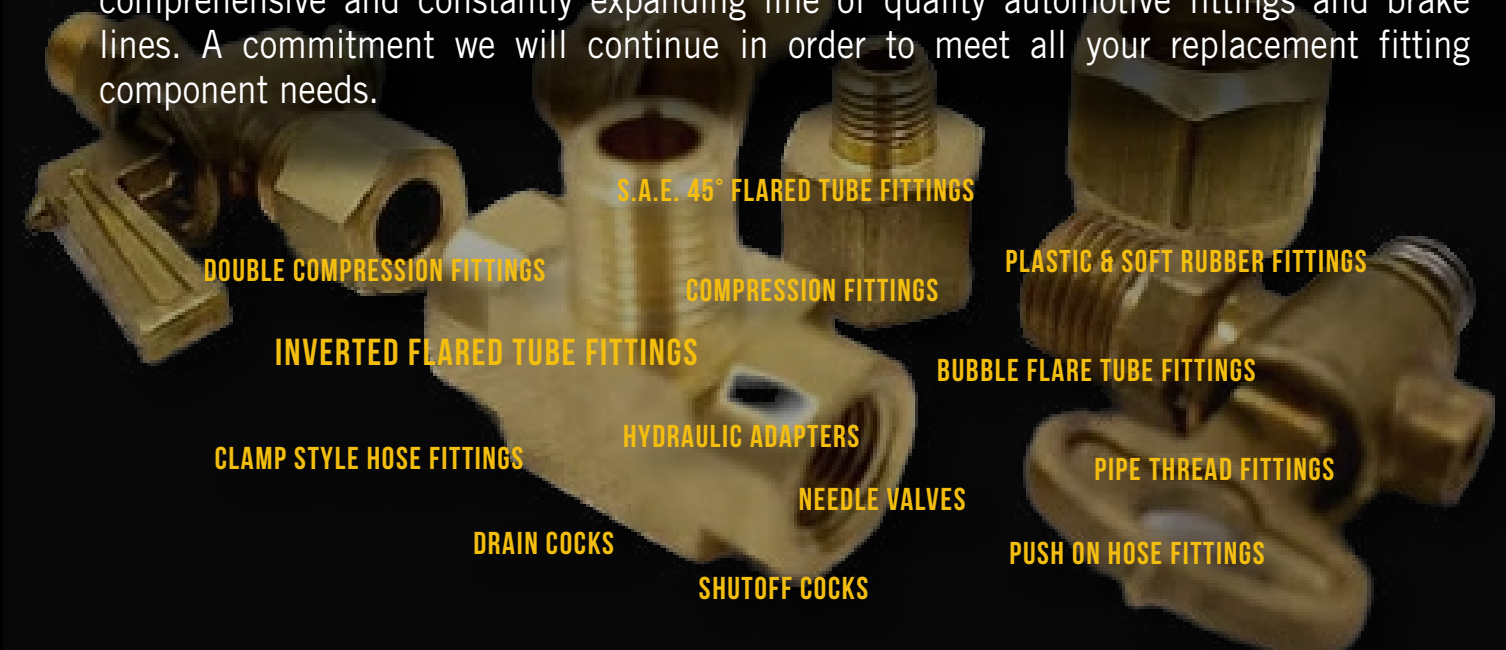
ZINC PLATED STEEL
Easy Bend and flare



FMSI EDELMANN FITTINGS
PROBLEM SOLVING AUTOMOTIVE HARDWARE

FMSI EDELMANN BRASS & BRAKE

FMSI Edelmann® Fittings has a long history of commitment to offering you a comprehensive and constantly expanding line of quality automotive fittings and brake lines. A commitment we will continue in order to meet all your replacement fitting component needs.



 COMPRESSION FITTINGS STEEL TO STEEL	 COMPRESSION FITTINGS STEEL TO NYLON	 360° COMPRESSION FITTINGS STEEL OR NYLON
 DRAIN COCKS	 HYDRAULIC ADAPTERS	 INVERTED FLARED TUBE FITTINGS
 PIPE THREAD FITTINGS	 CLAMP STYLE HOSE FITTINGS	 PUSH ON HOSE FITTINGS
 DOUBLE COMPRESSION FITTINGS	 NEEDLE VALVES	 S.A.E. 45 DEGREE FLARED TUBE FITTINGS



KOOL-AIR KWIK-CONNECT AIR CONDITIONING FITTINGS

Revolutionary Air Conditioning Tube Joiner and Block Off Caps!

WHY WAIT?

KEEP IT COOL WITH KOOL-AIR KWIK-CONNECT — OUR GAME-CHANGING TUBE JOINING SYSTEM

Experience a game changing solution for AC repairs with FMSI Edelmenn Fittings new KOOL-AIR Kwik-Connect AC Joiners and Block Off Caps. Quick repairs done right — maximizes profits.

Our KOOL-AIR Kwik-Connect joiners and block off caps feature a simple push-to-connect mechanism to quickly lock aluminum tubes together with only your hands. For a long lasting, leak and corrosion free connection.

FMSI Edelmenn Fittings KOOL-AIR Kwik-Connect AC Joiners and Block Off Caps feature a durable anodized finish which helps protect against corrosion and other wear and tear. KOOL-AIR Kwik-Connect fittings are compatible with a wide range of vehicle applications, making it perfect for every repair shop.

KOOL-AIR Kwik-Connect TUBE TO TUBE Tool Free Installation

PUSH → LOCKED ← PUSH



Easily Repairs a Damaged or Leaking Tube

PUSH → LOCKED



Block Off a Damaged or Unused Aluminum Tube

- Time Saving Solution
- Locking Retention Rings Create Secure Seal
- All Aluminum Construction – Corrosion Free
- 275psi Working Pressure (1100psi Burst)
- Integral - HNBR O-rings
- Built in Quick Release Button (Not Reusable)
- No Need For Additional Lubricants Or Adhesives

TOOL FREE INSTALLATION: Can be easily connected by hand without the need for any specialized tools or equipment.

SECURE FIT: KOOL-AIR Kwik-Connect Fittings provide a reliable leak free connection.

DURABLE CONSTRUCTION: Joiners & Block offs are made from high quality anodized Aluminum, designed to withstand the elements and demands of air conditioning systems over time.

NO DISSIMILAR METALS: Protects against galvanic corrosion.

COMPATIBILITY: KOOL-AIR Kwik Connect work with a wide range of vehicle applications domestic and imports.

REPAIR ASSORTMENTS

LONG LIFE · PUSH CONNECT · CORROSION FREE



Part #	Description
0186	Standard KOOL-AIR Kwik Connect joiner assortment
0186MET	Metric KOOL-AIR Kwik Connect joiner assortment
0188	Standard KOOL-AIR Kwik Connect block off assortment
0188MET	Metric KOOL-AIR Kwik Connect block off assortment
0189	Standard KOOL-AIR Kwik Connect joiner & block off assortment
0189MET	Standard KOOL-AIR Kwik Connect joiner & block off assortment
0191	Standard & Metric KOOL-AIR Kwik connect Block off assortment
0194	Standard & Metric KOOL-AIR Kwik connect joiner & Block off assortment



AIR CONDITIONING CHEMICALS

Cool-Shot Ultra AC Enhancer INCLUDES INSTALLATION ADAPTORS



Part # TR1170.ALH1
R134a

Part # TR1170.ALH7
R134yf

Quiets Noisy Compressors and Extends Life

Extreme Ultra Leak Stop INCLUDES INSTALLATION ADAPTORS



Part # TR1163.ALH1
R134a

Part # TR1163.ALH7
R134yf

Polymer Free Formula - Will Not Clog System

R134a Premium Leak Stop & Recharge Kit

Part # 7207

Each kit contains:

- 2 x Premium Repla 134/1234 (AR4247)
- 1 x Extreme Ultra - Leak Stop (TR1163.AL01)
- 1 x R134a Installation Adapter (RK1422.S1)
- 1 x Installation Hose w/ Gauge (AR4252L)



Premium Repla 134/1234yf

Specifically designed for automotive AC systems
Equivalent to: 17oz (481g) R134a - 12oz (340g) R1234yf

Part # AR4247HP (6 Pack)

Features & Benefits:

- Reduces vent temperatures & cools vehicles faster
- Environmentally Friendly
- High Performance
- Non-Toxic
- Non O-Zone Depleting
- Safe for R1234yf and R134a Systems
- No ODS license required to purchase or install
- Easy to install

FMSI's Repla 134/1234yf is a safe, natural and purified hydrocarbon refrigerant and is suitable for both R134a & R1234yf Systems.

A Safe alternative to HFC, HFO, HCS & HCFC, (OE Refrigerants) Non-toxic and environmentally friendly.



24" Extended Installation Hose

R134a Systems
Part # AR4252L

R1234yf Systems
Part # AR4252YF



Low side 24" extended installation hose with gauge suitable for installing hydrocarbons, sealants and oil charges

Replacement Gasket for Tap End
Part # AR4252G
Part # AR4252YFG

Brilliant UV Dye

- Complies with SAE J2297 and SAE J2298.
- Compatible with PAG, POE and R134a, R1234yf and R12.
- Solvent free: does not clog A/C systems or recovery units. Safe for all A/C system components and electric compressors (hybrid and electric vehicles).
- Visible if exposed to any UV lamp. Packaging includes DYE DETECTED labels.



Red Brilliant UV Dye

- Complies with SAE J2297 and SAE J2298.
- Compatible with R134a, R1234yf and R12.
- Solvent free: does not clog A/C systems or recovery units. Safe for all A/C system components and electric compressors (hybrid and electric vehicles).
- Visible if exposed to any UV lamp. Packaging includes DYE DETECTED labels.



KOOL-AIR PREMIUM PAG OILS

PAG46 PAG100 PAG150 PAG Universal

O.E.M. APPROVED

PAG OIL FOR ALL VEHICLES INCLUDING GAS - HYBRID & ELECTRIC



R134a Premium Oil Charge

EV, HYBRIDS, GAS/DIESEL VEHICLES

R134a Systems
Part # 7206

R1234yf Systems
Part # 7209



Each kit contains:

- 1 x 2oz Syringe Premium PAG Oil (OL6058.E01)
- 1 x R134a Installation Adapter (RK1422.S1)
- or 1 x R1234yf Installation Adapter (RK1423.S1)



OXY-ACETYLENE TORCH KITS



SHOP FLAME
MEDIUM-DUTY
TORCH KIT
1705



MEDIUM/HEAVY-DUTY BASIC
CUTTING, WELDING AND
HEATING OUTFIT
1710



TOTE-A-TORCH
MEDIUM-DUTY KIT
1753

AUTO DARKENING HELMETS



FORNEY EASY WELD VELOCITY
AUTO-DARKENING FILTER (ADF)
WELDING HELMET
55732



SCORCH AUTO-DARKENING
FILTER (ADF) WELDING HELMET
55859



FORNEY PRO CARBON MAPLE
LEAF ADF WELDING HELMET
55939

WELDING ELECTRODES



Part#	Description
30301	E6013, Steel Electrode, 3/32 in x 1 Pound
30305	E6013, Steel Electrode, 3/32 in x 5 Pound
30401	E6013, Steel Electrode, 1/8 in x 1 Pound
30405	E6013, Steel Electrode, 1/8 in x 5 Pound

Part#	Description
30701	E7018, Stick Electrode, 3/32 in x 1 Pound
30705	E7018, Stick Electrode, 3/32 in x 5 Pound
30801	E7018, Stick Electrode, 1/8 in x 1 Pound
30805	E7018, Stick Electrode, 1/8 in x 5 Pound
30810	E7018, Stick Electrode, 1/8 in x 10 Pound
31105	E6011, Stick Electrode, 3/32 in x 5 Pound
31205	E6011, Stick Electrode, 1/8 in x 5 Pound

MIG WIRE



Part#	Description
42286	ER70S-6, MIG Welding Wire, Mild Steel, .030 in Diameter x 10 Pound Spool
42287	ER70S-6, MIG Welding Wire, Mild Steel, .035 in Diameter x 10 Pound Spool
42290	ER70S-6, MIG Welding Wire, Mild Steel, .024 in Diameter x 2 Pound Spool
42291	ER70S-6, MIG Welding Wire, Mild Steel, .030 in Diameter x 2 Pound Spool
42292	ER70S-6, MIG Welding Wire, Mild Steel, .035 in Diameter x 2 Pound Spool
42300	E71T-GS Self, Steel Flux-Core Welding Wire, .030 in x 2 Pound
42301	E71T-GS Self, Steel Flux-Core Welding Wire, .030 in x 10 Pound
42302	E71T-GS Self, Steel Flux-Core Welding Wire, .035 in x 2 Pound
42303	E71T-GS Self, Steel Flux-Core Welding Wire, .035 in x 10 Pound

CUT-OFF WHEELS Metal, Type 1



Part#	Description
71841	3 in x 1/16 in x 3/8 in
71847	4-1/2 in x 1/16 in x 7/8 in
71854	4-1/2 in x .045 in x 7/8 in
71855	3 in x 1/32 in x 3/8 in
71856	4 in x 1/32 in x 3/8 in

GRINDING WHEELS Metal, Type 27



Part#	Description
71819	4-1/2 in x 1/4 in x 5/8 in-11
71877	4-1/2 in x 1/4 in x 7/8 in

SOLDER Electrical Repair, Rosin Core



Part#	Description
61426	1/32 in, 4 Ounce
61429	1/20 in, .3 Ounce
61534	1/16 in, 4 Ounce
61535	1/16 in, 4 Ounce

TORCH KITS Propane



Part#	Description
61539	Pencil Flame Torch
61545	Self-Igniting Trigger Torch

FLAP DISC Type 29



Part#	Description
71930	4-1/2 in x 5/8 in-11, ZA36
71931	4-1/2 in x 5/8 in-11, ZA60
71985	4-1/2 in x 7/8 in, ZA40
71986	4-1/2 in x 7/8 in, ZA60

FLAP WHEELS Shank Mounted



Part#	Description
60187	1-1/2 in x 1/2 in, Grit: 60
60190	1 in x 1 in, Grit: 60
60191	1 in x 1 in, Grit: 80



gorillatough.com



GORILLA TAPE BLACK
105629 - 30 yards



GORILLA TAPE BLACK
105631 - 10 yards



GORILLA TAPE SILVER
105634 - 30 yards



GORILLA TAPE SILVER
105463 - 10 yards



MOUNTING TAPE
6155002 - Heavy Duty 1x60 inch



GORILLA TAPE TO-GO
6101002 - 30ft



GORILLA CLEAR REPAIR
6127002 - 8.2m



SPRAY ADHESIVE
6341502 - 14oz Heavy Duty



SUPER GLUE
112381
15g Gel



SUPER GLUE
7900301
2 x 3g tubes



EPOXY
4200602
25ml



CLEAR GORILLA GLUE
4510103 - 51ml



GORILLA CLEAR GRIP™
8140002 - 88ml

O'Keeffe's® Working Hands® Hand Cream is a concentrated hand cream that heals, relieves and repairs extremely dry, cracked hands. When used daily, O'Keeffe's® Working Hands® is clinically proven to:

- Instantly boost moisture levels
- Creates a barrier on the skin's surface
- Help prevent further moisture loss

It is safe and effective for people with diabetes.



WORKING HANDS®
HAND CREAM
K1290003 - 85g



WORKING HANDS®
HAND CREAM
K1350001 - 3.4oz, jar



Previous SunSplash Destinations:



Contact your local Bestbuy Distributor to learn more



Easy Installation - Low maintenance - High Performance

76L/min
20 GPM



12V Modular Fuel Transfer Pump						
PART NO.	MODEL	NOZZLE	HOSE	POWER CORD	MOUNT	SUCTION PIPE
162000-03	G20-012AD	Automatic	14 ft.	Installed	Spin Collar	Included
162000-01	G20-012PO	None	None	None	Spin Collar	None

*Extended warranty coverage requires registration with GPI. Default warranty is 2 years. Visit gpi.net/product-registration/

69L/min
18 GPM



12V Fuel Transfer Pump						
PART NO.	MODEL	NOZZLE	HOSE	POWER CORD	MOUNT	SUCTION PIPE
110612-02	M-180S-AU w/filter kit	Automatic	12 ft.	Installed	Spin Collar	Included
110300-2	M-180S-AU	Automatic	12 ft.	Installed	Spin Collar	Included
110300-1	M-180S-ML	Manual	12 ft.	Installed	Spin Collar	Included

57L/min
15 GPM



12V Fuel Transfer Pump							
PART NO.	MODEL	NOZZLE	HOSE	POWER CORD	MOUNT	SUCTION PIPE	NOZZLE HOLDER
110000-100	M-150S-AU	Automatic	12 ft.	Installed	Spin Collar	Included	Lockable
110000-99	M-150S-MU	Manual	12 ft.	Installed	Spin Collar	Included	Lockable
110000-107	M-150S-EM	Manual	10 ft.	Installed	Direct	Included	Standard
110000-103	M-150S-PO	None	None	Included*	Spin Collar	None	Lockable

*Customer installation required

30L/min
8 GPM



12V Fuel Transfer Pump							
PART NO.	MODEL	NOZZLE	HOSE	POWER CORD	MOUNT	SUCTION PIPE	NOZZLE HOLDER
137100-01	EZ-8	Manual	10 ft.	Installed	Direct	Included	Standard

12V Portable Fuel Transfer Pump

PART NO.	MODEL
147000-01	G8P

Pumps fluid on both the push and pull strokes for fast delivery
For use with: diesel fuel (diesel blends to B20), gasoline (alcohol blend up to E15), kerosene, medium oil (up to 30W), and hydraulic fluid

SAVE TIME WITH THESE GPI UPGRADES:

- Quick-Fit Modular Connections
- Factory-Installed Power Cord
- Spin Collar Mount
- Telescoping Suction Pipe

Visit gpi.net to learn more!

©2022 Great Plains Industries, Inc. All Rights Reserved.

Hand Pump		
PART NO.	MODEL	NOZZLE
114000-10	HP-100-UL	Metal



High Pressure Performance Powder-Coated Carbon Vanes

Ideal for use with a hose reel

Durable and corrosion resistant

Long-life



94 L/min
25 GPM

- **Four bolts and an O-ring** - quickly attach a filter, meter, or both to customize your personal fuel station!
- **Eliminate dangerous leaks** with flanged connections, O-rings, and meter mag drive

GPRO[®]
PROFESSIONAL GRADE **FIVE-YEAR WARRANTY**
with industry-leading customer service

12V Modular Fuel Transfer Pump					
PART NO.	MODEL	NOZZLE	HOSE	POWER CORD	SUCTION PIPE
170000-03	V25-012AD	Automatic	18 ft.	Installed	Included
170000-01	V25-012PO	None	None	None	None

GPRO[®] **EXTREME TEMPERATURE Tested to -40°**



94 L/min
25 GPM



76 L/min
20 GPM

12V Modular Fuel Transfer Pump				
PART NO.	MODEL	NOZZLE	HOSE	POWER CORD
170000-06	V25-012AD+XT	Auto	18 ft.	Installed
170000-05	V25-012PO+XT	None	None	None

115V Fuel Transfer Pump			
PART NO.	MODEL	NOZZLE	HOSE
171000-51	V20-115PO+XT	None	None
171000-53	V20-115AD+XT	1" Automatic	1" x 18'



132 L/min
35 GPM

115V Fuel Transfer Pump			
PART NO.	MODEL	NOZZLE	HOSE
504000-05	PRO35-115PO/XTS	None	None

Extreme Weather Accessories

PART NO.	DESCRIPTION
150100-501	XT Fuel Hose, 1 in. NPT x 18 ft.
906009-505	XT Automatic Nozzle

GPI / FLOMEC / GPRO





SuperNova® | High Performance

Lightweight NexGen Lamps weigh 50% less than the major competitor lamps, and only requires 1/8 the amperage needed to drive an incandescent lamp.

Hi Count® | High Style

Highest visibility LED lamps around. Offer premium styling and maximum diode count.

Grote Select™ | High Value

Provide faster light-on response time that increase stopping alert distances. Low power requirements, making more voltage available to other systems.

STOP/TAIL/TURN LAMPS

PART#	DESCRIPTION
SUPERNOVA®	
53252	LED, 4" STOP/TAIL/TURN, 10 DIODE, RED
53253	LED, 4" STOP/TAIL/TURN, 10 DIODE, AMBER
54332	LED, 4" STOP/TAIL/TURN LAMP, RED
54333	LED, 4" STOP/TAIL/TURN LAMP, AMBER
HI COUNT®	
G4002	G2 LED, 4" HIGH COUNT, FEMALE, RED
G4003	G2 LED, 4" HIGH COUNT, FEMALE, AMBER
GROTE SELECT™	
54342	LED S/T/T LAMP, LED 4" RED
54343	LED S/T/T LAMP, LED 4" AMBER
SUPERNOVA®	
53962	LED, OVAL PLASTIC
53963	LED, OVAL GROMMET MT, AUX TURN, AMBER
SUPERNOVA® 9 DIODE	
54132	STT LAMP, RED, OVAL, LED, MALE PIN, 9 DIODE
54133	STT LAMP, YELLOW, OVAL, LED, MALE PIN, 9 DIODE
SUPERNOVA® NEXGEN	
54162	RED LED OVAL STT LAMP
54163	YELLOW LED OVAL AUX LAMP
HI COUNT®	
G6002	HIGH COUNT 60 SERIES LED, RED
G6003	HI COUNT OVAL LED AMBER
GROTE SELECT™	
54172	RED LED OVAL STT LAMP
54173	YELLOW LED OVAL AUX LAMP

STOP/TAIL/TURN LAMPS

PART#	DESCRIPTION
MICRONOVA® DOT	
49322	MICRONOVA DOT, P2 W/GROMMET, RED
49332	MICRONOVA DOT, PC W/GROMMET, RED
49333	MICRONOVA DOT, PC/P2 W/GROMMET, AMBER
49412	MICRONOVA DOT, W/ADAPTOR BRACKET, RED
49413	MICRONOVA DOT, W/ADAPTOR BRACKET, AMBER
49341	MICRONOVA DOT, MARKER LAMP, ECE, WHITE
49342	MICRONOVA DOT, 12 VOLT, ECE, RED
49343	MICRONOVA DOT, 12 VOLT, ECE, AMBER
MICRONOVA®	
47962	CLR/MKR, RED, LED, MICRONOVA P2 WITH GROMMET
47963	CLR/MKR, YELLOW, LED, MICRONOVA P2 WITH GROMMET
47952	CLR/MKR, RED, LED, MICRONOVA P2 WITH BEZEL
47953	CLR/MKR, YELLOW, LED, MICRONOVA P2 WITH BEZEL
47972	CLR/MKR, RED, LED, MICRONOVA PC WITH GROMMET
47973	CLR/MKR, YELLOW, LED, MICRONOVA PC WITH GROMMET
SUPERNOVA® 2"	
47112	LED MARKER, 2" ROUND SEALED, RED
47113	LED MARKER, 2" ROUND SEALED, AMBER
46132	CLR/MKR LAMP, 2", RED, MKR LAMP, SUPERNOVA® LED, PC RATED
46133	CLR/MKR LAMP, 2", YELLOW, MKR LAMP, SUPERNOVA® LED, PC RATED
78433	LED, 2" ABS LAMP, AMBER
HI COUNT® 2"	
G3002	G2 LED, 2" HIGH COUNT, RED
G3003	G2 LED, 2" HIGH COUNT, AMBER
SUPERNOVA® BEEHIVE	
47212	LED MARKER, 2" BEEHIVE, RED
47213	LED MARKER, 2" BEEHIVE, AMBER
HI COUNT® BEEHIVE	
G3092	RED 2" BEEHIVE LED LAMP
G3093	YLW 2" BEEHIVE LED LAMP
SUPERNOVA®	
47122	LED MARKER, 2 1/2" ROUND SEALED, RED
47123	LED MARKER, 2 1/2" ROUND SEALED, AMBER
46142	CLR/MKR LAMP, 2.5", RED, SUPERNOVA® LED, PC RATED
46143	CLR/MKR LAMP, 2.5", AMBER, SUPERNOVA® LED, PC RATED
78423	LED, 2.5" ABS LAMP, AMBER
HI COUNT®	
G1032	G2 LED, 2.5" HIGH COUNT, RED
G1033	G2 LED, 2.5" HIGH COUNT, AMBER
HI COUNT® 9 DIODE	
G1092	G2 LED, 2.5" HIGH COUNT 4700, RED
G1093	G2 LED, 2.5" HIGH COUNT 4700, AMBER



Grote Brite Zone™ LED WORK LAMPS FOR BOTH WORK AND PLAY



With rugged, durable construction and LED power that far outshines halogen, BriteZone lamps get the job done.

Grote's BriteZone range has the LED lamp to shed light on any use - even tow trucks, garbage trucks and forklifts - without breaking the bank.

Boating. Mowing. Off-roading. Working. Long after the sun goes down, you need a lamp that's as tough and tireless as you are.

Value priced to meet your budget.



PART#	DESCRIPTION	VOLTAGE	EFFECTIVE LUMEN
BRITE ZONE LED WORK LAMPS			
BZ101-5	BRITE ZONE™ ROUND LED WORK LAMP	9 - 32	1600
BZ111-5	BRITE ZONE™ SMALL ROUND WORK LAMP	12 - 36	1240
BZ121-5	BRITE ZONE™ ROUND LED WORK LAMP WITH SWITCH	10-32	1900
BZ131-5	BRITE ZONE™ ROUND LED WORK LAMP WITH SWITCH	9-30	4000
BZ141-5	BRITE ZONE™ SMALL ROUND WORK LAMP	10-30	1750
BZ201-5	BRITE ZONE™ SQUARE LED WORK LAMP	9-32	1100
BZ211-5	BRITE ZONE™ SMALL SQUARE LED WORK LAMP	10-30	1100
BZ221-5	BRITE ZONE™ SMALL CUBE LED WORK LAMP	10-30	4800
BZ301-5	BRITE ZONE™ SLIM LED WORK LAMP	9-32	1400
BZ321-5	BRITE ZONE™ RECESSED LED WORK LAMP	10-30	3600
BZ331-5	BRITE ZONE™ SMALL RECTANGLE LED WORK LAMP	10-30	860
BZ421-5	BRITE ZONE™ MAGNETIC LED WORK LAMP	12	1800
BZ501-5	BRITE ZONE™ GO ANYWHERE LED WORK LAMP	12	1100
BZ551-5	BRITE ZONE™ LED WORK LAMP	12-30	1200
BZ601-5	BRITE ZONE™ MINI SQUARE LED WORK LAMP	12-36	775



Grote Trilliant® LED Work Lamps

THERE'S A RUGGED GROTE TRILLIANT® LAMP FOR ANY WORKPLACE APPLICATION

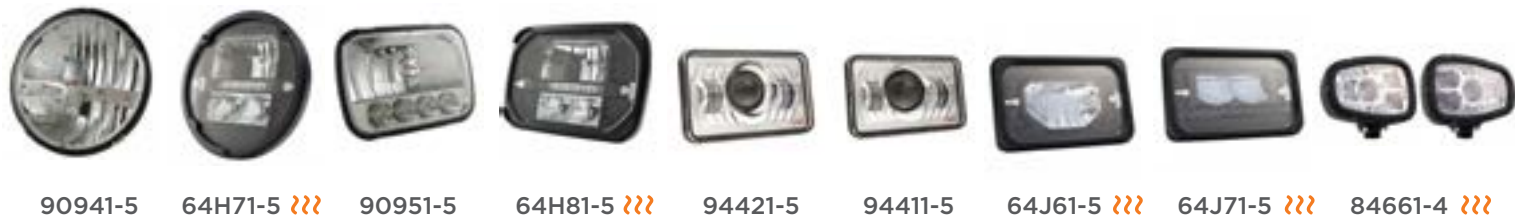
- Superior performance for mining, construction, off-road, agriculture, utility, emergency, military vehicles
- Field tested to survive brutal on and off-road conditions



PART#	DESCRIPTION	VOLTAGE	EFFECTIVE LUMEN
TRILLIANT T26 LED WORK LAMPS			
64G01-5	T26 LED WORK LAMP, PENDANT MOUNT, FAR PATTERN	10 - 48	1800
64G11-5	T26 LED WORK LAMP, PENDANT MOUNT, NEAR PATTERN	10 - 48	1800
TRILLIANT CUBE WORK LAMPS			
63981-5	TRILLIANT® CUBE WORK LAMP, TRACTOR PLUS, BI-VOLTAGE	12/24	1200
63991-5	TRILLIANT® CUBE WORK LAMP, FLOOD, BI-VOLTAGE	12/24	1200
63W41	TRILLIANT® CUBE WORK LAMP, 3000 LUMENS, LONG RANGE, DEUTSCH	9 - 32	3000
63W61	TRILLIANT® CUBE WORK LAMP, 3000 LUMENS, CLOSE RANGE, DEUTSCH	9 - 32	3000
TRILLIANT LMX LED WORK LAMPS			
63Z01	TRILLIANT® LMX LED WORK LIGHTS, CLOSE/LONG RANGE HYBRID, DEUTSCH DT	9 - 32	7000
63Z61	TRILLIANT® LMX LED WORK LIGHTS, CLOSE/LONG RANGE HYBRID, DEUTSCH DT	9 - 32	5000

Grote LED Forward Lighting

GROTE KEEPS YOU ON THE CUTTING EDGE OF TECHNOLOGY WITH LED HEADLIGHTS AND HEATED HEADLIGHTS



PART#	DESCRIPTION	VOLTAGE	BEAM PATTERN
7" LED HEADLIGHTS			
90941-5	7" LED SEALED BEAM HEADLIGHT	9 - 32	LOW BEAM, HIGH BEAM
64H71-5	HEATED 7" SEALED BEAM HEADLIGHT	12 - 30	LOW BEAM, HIGH BEAM
5" X 7" LED HEADLAMP			
90951-5	5" X 7" LED SEALED BEAM HEADLIGHT	9 - 32	LOW BEAM, HIGH BEAM
64H81-5	HEATED 5" X 7" LED SEALED BEAM HEADLIGHT	12 - 30	LOW BEAM, HIGH BEAM
4" X 6" LED HEADLAMPS			
94421-5	4" X 6" LED SEALED BEAM HEADLIGHT	9 - 32	LOW BEAM
94411-5	4" X 6" LED SEALED BEAM HEADLIGHT	9 - 32	HIGH BEAM
64J61-5	HEATED 4" X 6" LED SEALED BEAM HEADLIGHT	12 - 30	LOW BEAM
64J71-5	HEATED 4" X 6" LED SEALED BEAM HEADLIGHT	12 - 30	HIGH BEAM
LED HEATED SNOW PLOW LAMPS			
84661-4	LED HEATED SNOW PLOW LAMPS (PAIR PACK)	12 - 30	LOW BEAM, HIGH BEAM



Grote's Warning and Hazard Lighting Solutions

Improve Visibility. Improve Safety. The Right Lighting Solution for Your Environment!



PART#	DESCRIPTION
BACKUP ALARMS	
73040	BACKUP ALARM 97DB, SAE J994 TYPE C, 12-24V
73310	BACKUP ALARM MULTI-FREQUENCY 97DB, SAE J994 TYPE C, 12-24V
BEACONS	
79073	AMBER LED BEACON W/CLR DOME, CLASS I, 12-24V
78033	AMBER LED BEACON, SHORT DOME, CLASS I, 12-24V
78053	AMBER LED BEACON, TALL DOME, CLASS I, 12-24V
78853	AMBER LED BEACON, SHORT DOME, CLASS II, 12-24V
78863	AMBER LED VAC/MAG BEACON SHORT DOME, CLASS II, 12V
78063	AMBER LED BEACON, TALL DOME, CLASS II, 12-24V
78093	AMBER LED BEACON, COMPACT DOME, CLASS III, 12-72V
78103	AMBER LED MAGNETIC BEACON, COMPACT DOME, CLASS III, 12V
78113	AMBER LED MATERIAL HANDLING BEACON, CLASS III, 12-72V
DIRECTIONALS	
78380	AMBER 30" LED WARNING STICK, CLASS I, 12V
77353	AMBER LED 4" ROUND WARNING LIGHT, CLASS II, 12V
77355	BLUE LED 4" ROUND WARNING LIGHT, CLASS III, 12V
77363	AMBER LED 6" OVAL WARNING LIGHT, CLASS II, 12V
77365	BLUE LED 6" OVAL WARNING LIGHT, CLASS II, 12V
78143	AMBER LED ULTRA LOW PROFILE DIRECTIONAL, CLASS I, 12-24V
78163	AMBER LED ULTRA LOW PROFILE DIRECTIONAL, CLASS I, 12V
78270	LED TRAFFIC DIRECTOR, LARGE, W/ ARROWS, AMBER
MINIBARS	
78023	AMBER 16" LED MINIBAR, CLASS I, 12-24V
78133	AMBER 16" LED VAC/MAG MINIBAR, CLASS I, 12V
76983	AMBER 17" LED MINIBAR, CLASS I, 12V
77223	CLASS I COMPACT LED LIGHT BAR, PERMANENT MOUNT, AMBER, 12V/24V
77803	CLASS I COMPACT LED LIGHT BAR, MAGNETIC MOUNT, AMBER, 12V/24V



Fuse Products

Grote Electrical Connections and Accessories proudly introduces our new offering of Fuse and Circuit Protection products. Grote has over 200 SKU's available representing the most popular and in-demand fuse and circuit protection products including a variety of assortment packs.



Coiled Air Products

Grote carries an extensive line of coiled air products required for optimum system performance. From coiled air hoses to seals and screens, our coiled air products are designed and manufactured to meet or exceed the toughest industry standards.



Terminals and Connectors

Grote's extensive line of terminal and connector products are designed to ensure proper installation as well as peak electrical performance and power delivery for your system. We also have an extensive offering of kits - ideal for a fleet maintenance facility, garage repair and DIY'ers!



Wire and Cable

Grote carries one of the widest selections of wire and cable products in the industry. Our wire and cable is available in all common gauges and colours, and is 100% made in North America which ensures the highest level of quality, performance and reliability.



Trailer Connections

Power delivery is only as good as the connections made! Developed to meet the most rigorous demands, Grote's complete line of trailer connection products provide for a wide and varied requirement.



Support and Protective products

Protection of critical wire and power systems is essential to a vehicles running performance. Grote has an extensive line of cable and power delivery management products available.



Battery Connection Products

Proper connections to a vehicles power supply are vital for efficient, effective power delivery, and Grote Battery Connection products are designed and manufactured to ensure an ideal connection every time!



Kits and Tools

Whether the need is for a small retail pack for the weekend DIY'er or a large fleet maintenance facility, Grote has the right tools and a great selection of kits.



Switches and Electrical Assemblies

Grote offers a complete line of switches and electrical assembly products. Connect a vehicles power system with the right product for the application!



COATED AND CHEMICAL GLOVES



NITRILE FOAM COATED
751180C
6-11
HORIZON

- Polyester shell - 13 gauge
- Sanitized treatment
- Elastic knit cuff



POLYURETHANE COATED
051260C
7-10
HORIZON

- Polyester shell - 13 gauge
- Elastic knit cuff



LATEX COATED
758124B
S-XL
HORIZON

- Textured latex coated
- Polyester and cotton shell - 13 gauge
- Elastic knit cuff



LATEX FOAM COATED
051144
SM & LXL
HORIZON

- Hi-vis polyester shell - 13 gauge
- Elastic knit cuff

WINTER GLOVES



LINED LATEX COATED GLOVES
750760
S-XL
HORIZON

- Polyester shell - 10 gauge
- Brushed cotton fleece lining
- Elastic knit cuff



PVC WORK GLOVES
758360FR
L
HORIZON

- Double coated PVC
- Foam & brushed cotton lining
- Sanitized treatment



WINTER LEATHER WORK GLOVES
713594ASRT
M-2XL
HORIZON

- Cowsplit leather - Assorted colours
- Acrylic pile lining
- Cotton back
- Pasted cuff



10 PACK OF NITRILE COATED GLOVES
751185/10
L
WORKTUFF

- Polyester shell
- Elastic knit cuff



NITRILE COATED GLOVES
75H657C
L
HORIZON

- Nitrile coated
- Fully dipped
- Pasted cuff



DOUBLE COATED PVC GLOVES
054056G14B
L
HORIZON

- Green Double Dipped PVC
- 14" gauntlet
- Rough finish for enhanced grip



COWSPLIT GLOVES
010392D3PC
L
HORIZON

- Cowsplit leather palm and fingertips
- 3 pieces palm
- Cotton back with elastic
- Pasted cuff



LEATHER WORK GLOVES
021600RCNL-RCXL
L
HORIZON

- Cowhide leather
- Unlined
- Rubberized cuff
- Cotton back



GOATSKIN DRIVER'S GLOVES
083378
M-2XL
HORIZON

- Goatskin leather
- Keystone thumb
- Elasticized wrist

DISPOSABLE GLOVES Dispenser box



4 MIL. NITRILE GLOVES
792455 - S-XL (Powder free)
HORIZON

- 100 gloves
- Ambidextrous



6 MIL. NITRILE GLOVES
7924556
S-XL
HORIZON

- 100 gloves
- Powder free
- Ambidextrous



7 MIL. NITRILE GLOVES
792457D
S-2XL
WORKTUFF

- 50 gloves
- Powder free
- Raised diamond textured



8 MIL. NITRILE GLOVES
792458D
S-2XL
WORKTUFF

- 50 gloves
- Powder free
- Raised diamond textured

SAFETY GLASSES



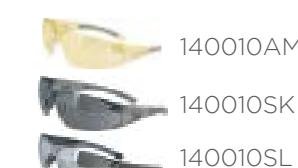
VISITOR SAFETY GLASSES
140008 - ONE SIZE
H SERIES

- Lightweight, frameless, integrated nosepiece, anti-scratch & anti-static
- Blocks over 99% UVB and UVA rays



SAFETY GLASSES
140010 - ONE SIZE
H SERIES

- Soft nosepiece, anti-slip arm, anti-fog, anti-scratch & anti-static
- Blocks over 99% UVB and UVA rays



ROPE



3 STRANDS TWISTED POLYPROPYLENE ROPE ON REEL
A1PJ
BARRY & BOULERICE

This rope is an affordable choice as a general-purpose rope, because it's lightweight and long-lasting. It is ideal for industrial, construction, commercial and household applications.

A1PJ/316	3/16" X 2125' 4.8 MM X 648 M
A1PJ/014	1/4" X 1300' 6.4 MM X 396 M
A1PJ/516	5/16" X 975' 7.9 MM X 297 M
A1PJ/038	33/8" X 630' 9.5 MM X 192 M
A1PJ/012	1/2" X 335' 12.7 MM X 102 M
A1PJ/058	5/8" X 200' 16 MM X 61 M
A1PJ/034	3/4" X 125' 19 MM X 38 M



TELESCOPIC SNOWBROOMS



ULTIMATE POLAR VORTEX™ SNOWBROOM
14170
• 360° Pivoting head functions as broom or brush
• No scratch EVA foam works as a snowplow, extra wide frost blade, or squeegee



50" CROSSOVER SUPER-DUTY SNOWBROOM
14039C
Pivoting head swivels from broom to brush position with the push of a button.



SPORT 8 UTILITY BROOM™
581-E
Extends from 30" to 48".



TELE SNOBROOM™
511-E
Compact telescopic snow broom extends from 23" to 36".

LONG REACH SNOWBRUSHES *ideal for clearing snow from all vehicles*



ULTRA MAXX®
999CT
35" long, ergonomic



MEGA MAXX®
989-34
34" long, superior



MAXX® 35
889-35
35" extra long, superior

REGULAR REACH SNOWBRUSHES



COOL SNOW TOOL®
532
26" long, 5 row wide. Sweeps snow and slush with little effort.



SLIMLINE 24
523
24" long. Ideal for clearing snow from all vehicles.



VALUE REACH SWEEP™
203
25" long wooden snowbrush provides efficient snow removal.

EXTRA LONG SNOWBROOM



51" ARCTIC PLOW™ WITH ICE SCRAPER
18833
Super wide 16+ inch "Push-Pull" foam head.

SAFETY



ALUMINUM EMERGENCY SHOVEL
17222
• Compact design for easy storage.
• Two in one handle design allows shovel to be used as a scoop.
• Extends to 30" for longer reach.

TRAILBLAZER ELECTRONIC DEER ALERT
27512VA
Powerful electronic signal is 10X safer than traditional deer whistles.



PROFESSIONAL AUTOMOTIVE SQUEEGEES



PROFESSIONAL AUTOMOTIVE SQUEEGEE
12-810NY
• Plastic side guards protect glass
• 10" wide rust resistant head with durable scrub netting



PROFESSIONAL AUTOMOTIVE SQUEEGEE WITH HANDLE
• Plastic side guards protect glass
• 10" wide rust resistant head with durable scrub netting
10NY-24A - hardwood handle
10NYRD-26A - plastic handle



PROFESSIONAL SQUEEGEE HANDLES
• Threaded strong hardwood construction
• Fits all Hopkins professional automotive squeegee heads
111U - 20"
112U - 30"

HEAVY DUTY FLOOR SQUEEGEES



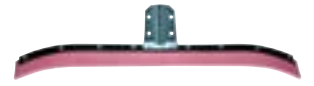
840-24/30/36
General Purpose



841-24/30/36
Oil Resistant



843-24/30/36
General Purpose



844-24/30/36
Oil Resistant



116
Heavy Duty 54" Floor Squeegee Handle



845-24
24" wide dual foam blade



846-30
Heavy duty 30" wide dual foam blade

AUTOMOTIVE CLEANING TOOLS



92022SCBL
8" Wash Brush extends to 40"



93053CBL
8" Wash Brush with 48" Handle



45320CBL
Microfiber 2in1 Wash Mitt



40208CBL
Evaporator Drying Towel



40211CBL
Synthetic Chamois



40061CBL
Microfiber Drying Towels



40059ASCBL
Supreme Drying Towel



45606ASCBL
Soft Touch Detailing Towel



HANDY-PAKS®

MERCHANDISERS



022-065



022-064



BLACK WHEEL NUTS

558-146-000	1/2-20X1.38HX13/16
558-148-000	1/2-20X1.38HX3/4
558-204-000	9/16-18X1.53HX7/8
559-070-000	M12-1.5X35HX21
559-077-000	M12-1.5X35HX19
559-114-000	M12-1.2X35HX19
559-236-000	M14-1.5X48HX19
559-301-000	M12-1.5X29.5HX19
564-327-000	M14-1.5X39HX22

PIC A PACS

SPINNER DISPLAYS



022-148



022-158



CHROME WHEEL NUTS

558-140B	7/16-20 RH 3/4
558-144B	7/16-20 RH
558-146B	1/2-20 RH
558-148B	1/2-20RH 3/4
558-200B	11/16X1X.100T
559-060B	M10X1.25
559-065B	M12X1.25
559-070B	M12X1.5



BODY RETAINER KITS

9971230C	120 PCS	HYUNDAI/KIA
999174C	240 PCS	GM
999175C	180 PCS	GM
999176C	235 PCS	FORD
999177C	240 PCS	CHRYSLER
999178C	100 PCS	MAZDA
999179C	120 PCS	HONDA
999182C	100 PCS	NISSAN
999183C	120 PCS	TOYOTA



THORO-FLUSH

INDUSTRIAL STRENGTH RADIATOR & ENGINE CLEANER, 16 OZ.

- 9112-16
- Opens & cleans out plugged heater Cores
 - Clears out gelled Dex-Cool with a simple flush
 - Cleans cooling system in a single flush
 - Fuel Tank Cleaner. Use before installing a new fuel pump to prevent premature pump failure and warranty claims
 - Removes ethanol/bio fuel build up rust scale oils and other sludge from fuel tank
 - Safe for use on cast iron, aluminum, brass and plastic
 - Professionally recommended for over 60 years



ALL WEATHER SEAL

HEAD GASKET & RADIATOR SEALANT, 16 OZ.

- 9132-16
- It blends with your existing Anti-freeze forming a microemulsion
 - It only works where the leak is. No fear of plugging heater cores, etc.
 - It can be used as a preventative to keep vehicles in service
 - It works FAST! Within 10 min. of reaching operating temperature your leak will stop
 - It works regardless of what material the leak is in. Rubber, Iron, Aluminum, Plastic, etc.,
 - It is compatible with all the different kinds of anti-freeze products on the market today. Even the waterless anti-freeze and extended life versions



CERAMIC MOTOR SEAL

CERAMIC COOLING SYSTEM SEALER, 16 OZ.

- 9122-16
- Permanently seal leaking head gaskets
 - Seals cracked heads and blocks in aluminum or cast iron
 - Coats the engine and prevents formation of rust and salt water corrosion
 - Seals porous castings in the cooling system
 - Stops coolants leaks
 - Promotes heat dissipation for added power

*Add to Radiator Only After Removing Anti-Freeze



Q.A.P. PREMIUM MOTOR OIL designed for use in today's demanding gasoline engines. They exceed the requirements of the American Petroleum Institute's (current performance level, for gasoline engine oils and satisfy the current warranty requirements of domestic and foreign automobile manufactures requiring an API SP or ILSAC GF 6 product.

CONVENTIONAL			
SIZE	5W-20	5W-30	10W-30
12 X 946 mL	FX0004115	FX0004215	FX0004315
4 X 5 L	FX0004130	FX0004230	FX0004330
205 L Drum	FX0004150	FX0004250	FX0004350



BESTBUY PRO SYNTHETIC 5W-40 CK-4 has exceptional cold cranking and cold pumping ability. Performance in these areas enables faster startup and wear protection when the engine is most vulnerable. Bestbuy Pro Synthetic 5W-40 CK-4 is an advanced formulation designed to deliver exceptional protection for demanding operating conditions including industries such as Mining, Construction, Forestry, Trucking Operations and so much more.

SYNTHETIC	
SIZE	5W-40
4 X 5 L	FX0004030
18.9 L Pail	FX0004040
205 L Drum	FX0004050

Q.A.P. 100% SYNTHETIC MOTOR OILS designed for use in today's demanding gasoline engines. They exceed the requirements of the American Petroleum Institute's (API) current performance level, for gasoline engine oils and satisfy the current warranty requirements of domestic and foreign automobile manufacturers requiring an API SP or ILSAC GF 6 product* For those vehicles requiring a dexos 1™ Gen 2 formulation to be in compliance with GM OEM recommendations our Q.A.P. 100% SYNTHETIC 0W-20 and 5W-30 grades are fully certified and registered.



SYNTHETIC					
SIZE	0W-16	0W-20 (dexos®)	5W-20	5W-30 (dexos®)	10W-30
6 X 946 mL	FX0004806	FX0004606	FX0004506	FX0004706	FX0004406
4 X 5 L	FX0004830	FX0004630	FX0004530	FX0004730	
60 L - Keg		FX0004645	FX0004545	FX0004745	
205 L - Drum		FX0004650	FX0004550	FX0004750	FX0004450



Q.A.P. DEX/MERC ATF is a premium product specially formulated for use in automatic transmissions manufactured in 2005 and earlier. General Motors, Ford and Chrysler vehicles requiring Dexron, II, III (GM) and Mercon® (Ford) fluid.

ATF	
SIZE	DEX/MERC
12 X 946 mL	FX0000415
205 L Drum	FX0000450



Q.A.P. EUROPEAN 100% SYNTHETIC 5W-40 is specifically formulated to meet the most stringent requirements of European manufacturers, including Volkswagen, Audi, Mercedes, BMW, and Porsche as well as European industry specifications (ACEA).

SYNTHETIC - EUROPEAN	
SIZE	5W-40
6 X 946 mL	FX0001606
60 L Keg	FX0001645
205 L Drum	FX0001650



Q.A.P. SYNTHETIC LV MULTI VEHICLE ATF is a premium low viscosity full synthetic multi vehicle transmission fluid designed to provide unparalleled performance in automatic transmissions It contains additives that enhance oxidation resistance, shear and viscosity stability that prevents the formation of deposits for up to twice the service life of the previous generation DEXRON® III and IIE fluids.

ATF	
SIZE	SYN LV MV
12 X 946 mL	FX0002415
60 L Keg	FX0002445
205 L Drum	FX0002450



BESTBUY PRO CK-4 next generation oil was formulated to exceed compliance levels set forth by the EPA for 2017 and forward diesel engines. Bestbuy Pro CK 4 was designed to provide improvements in emissions control, wear protection, TBN retention, shear stability, fuel economy, oxidation resistance and enhanced drain intervals with regular used oil analysis.

CONVENTIONAL	
SIZE	15W-40
12 X 946 mL	FX0003415
4 X 5 L	FX0003430
18.9 L Pail	FX0003440
205 L Drum	FX0003450



Q.A.P. MULTI VEHICLE ATF is a premium multi vehicle transmission fluid designed to provide unparalleled severe duty operating performance in automatic transmissions. It has enhanced resistance to oxidation and prevents the formation of gum or varnish in the transmission due to high temperature instability.

ATF	
SIZE	MULTI VEHICLE
12 X 946 mL	FX0001815
60 L Keg	FX0001845
205 L Drum	FX0001850



BESTBUY PRO SYN BLEND CK-4 next generation oil was formulated to exceed compliance levels set forth by the EPA for 2017 and forward diesel engines This oil was formulated to provide quantifiable improvements in emissions control, wear protection, TBN retention, shear stability, fuel economy and oxidation resistance Bestbuy Pro Syn Blend CK-4 is also backwards compatible making it ideal for large, small and mixed fleet operations where multiple service categories are represented.

SYNTHETIC BLEND	
SIZE	10W-30
12 X 946 mL	FX0003215
4 X 5 L	FX0003230
18.9 L Pail	FX0003240
205 L Drum	FX0003250



Q.A.P. CVT is a multi vehicle synthetic transmission fluid designed for continuous variable transmissions. This multi vehicle CVT fluid provides excellent anti shudder durability and friction protection to keep your transmission running smoothly.

CVT	
SIZE	CVT
12 X 946 mL	FX0004915
4 X 5 L	FX0004930



Q.A.P. GEAR OILS are extreme pressure (EP) automotive gear lubricants made from high quality, high viscosity base oils. Their special additives make them effective at providing high load-carrying protection with outstanding rust, corrosion and foam prevention. They offer a high level of protection in extreme wet and dirty environments. For applications such as automotive, heavy duty, construction, forestry, agricultural, transmissions, drive trains and stationary equipment.

GEAR OILS	
SIZE	GEAR OILS
12 X 946 mL	FX0000715
205 L Drum	FX0000750



COBRA AUTOMATIC TRANSMISSION FLUID
Designed to satisfy GM & Ford specs pre 2005

COBRA ATF	
SIZE	ATF
18.9 L - Pail	FBB0008840



BESTBUY PRO HYDRAULIC is a product designed for various hydraulic systems. This oil is formulated to offer a wide operating temperature range and designed for use in colder temperatures. BESTBUY PRO HYDRAULIC is not recommended for use with pumps that contain silver-plated parts.

HYDRAULIC				
SIZE	22	32	46	68
18.9 L - Pail	FX0003540	FX0003640	FX0003740	FX0003840



COBRA DIFF 80W-90 is recommended for most auto differentials as well as transmissions where the manufacturer specifies API MT 1. Always consult your owner's manual when choosing a compatible lubricant.

COBRA DIFF	
SIZE	80W-90
18.9 L - Pail	FBB0009840



Q.A.P. DEF is a 32.5% aqueous Urea Solution, AUS 32, a manufactured product of technically pure urea mixed with Demin quality water designed to meet the specifications of DIN 70070:2005 and ISO 22241 1:2006 for NOx abatement technologies.

DIESEL EXHAUST FLUID	
SIZE	DEF
9.46 L - Single Carton	FX0002910
208 L Drum	FX0002950



COBRA UTF (UNIVERSAL TRACTOR FLUID) is a multi application lubricant used to lubricate the moving parts of off highway mobile equipment. These fluids are used to lubricate the transmissions, differentials, final drive planetary gears, wet brakes and hydraulic systems of farm tractors and construction equipment that have a common fluid reservoir calling for a combination lubricant and power transmission fluid.

COBRA UTF	
SIZE	UTF
18.9 L - Pail	FBB0008440



Q.A.P. HEAVY DUTY MULTI-PURPOSE GREASE is capable high-performance grease for all chassis, wheel bearing, pin & bushing, ball and universal joints. It is an ideal solution to reduce the need for multiple products and reduce the risk of misapplication. Lithium complex thickener combined with high quality base oils and additive package giving it excellent mechanical stability and good resistance to water. The grease gives top-level protection from extreme pressure (EP) load wear.

MULTI-PURPOSE GREASE	
SIZE	HD
30 X 14 oz Tubes - Case	FXG000111



COBRA CHAIN OILS are designed especially for heavy duty chain saw use and are available in mid season summer and winter grades. All grades are extremely tacky, which helps the oil resist drippage and throw off, especially from high speed chains. Cobra Chain Oils are dyed red to help chain saw operators identify when the chain has enough lubrication.

COBRA CHAIN OILS			
SIZE	LIGHT	MEDIUM	HEAVY
4 X 3.78 L	FBB0011226	FBB0011326	FBB0010926



Q.A.P. MULTI-PURPOSE LITHIUM GREASE is a capable high-quality multipurpose grease for use in automotive chassis, universal joints, water pumps, roller, plain and AF bearings. Excellent shear stability over a broad temperature range and has a strong resistance to spin off and water resistance means it maintains protection.

MULTI-PURPOSE GREASE	
SIZE	MP
30 X 14 oz Tubes - Case	FXG000211



Vise-Grip® Locking Tools
Fast Release™ Curved Jaw Locking Pliers CR

PART#	DESCRIPTION
IRHT82573	10" Reduced Hand Span
IRHT82574	7"
IRHT82575	5"



Vise-Grip® Locking Tools
Fast Release™ Curved Jaw Locking Pliers with Wire Cutters

PART#	DESCRIPTION
IRHT82578	10" Reduced Hand Span
IRHT82580	7"
IRHT82581	5"



Vise-Grip® Locking Tools
Fast Release™ Locking C-Clamps with Regular Tips

PART#	DESCRIPTION
IRHT82584	11" Reduced Hand Span
IRHT82585	6"



Vise-Grip® Locking Tools
Locking Wrenches

PART#	DESCRIPTION
2	10" (10LW)
4	7" (7LW)
08	4" (4LW)



Vise-Grip® Locking Tools

PART#	DESCRIPTION
40-08	Replacement Spring



Vise-Grip® Locking Tools
Long Bent Nose Pliers

PART#	DESCRIPTION
2078226	6"
2078228	8"



Curved Jaw Locking Pliers

PART#	DESCRIPTION
4935576	10"
4935578	7"
902L3	5WR 5"
502L3	10"



Curved Jaw Locking Pliers
Curved Jaw Locking Pliers with Wire Cutter

PART#	DESCRIPTION
702L3	7"
902L3	5"
1002L3	4"



Vise-Grip® Locking Tools
Locking C-Clamps with Regular Tips

PART#	DESCRIPTION
17	6"
19	11"
21	18"



Vise-Grip® Locking Tools
Speciality Tools

PART#	DESCRIPTION
12L3	12" Large Jaw Locking Plier
23	8" Locking Sheet Metal Tool
27ZR	9" Locking Chain Clamp Plier
29	7" Locking Pinch-off Tool
40EXT	Chain Extension for 20R
40REP	18" Replacement Chain for 20R



Vise-Grip® Locking Tools
GrooveLock Pliers

PART#	DESCRIPTION
2078112	12" V Jaw
4935351	6" V Jaw
2078108	8" V Jaw
2078110	10" V Jaw
2078710	3 Piece Set-8" 10" 12"
2078712	8 Piece Set



Vise-Grip® Locking Tools
Groove Joint V-Jaw Pliers

PART#	DESCRIPTION
2078510	10"
2078512	12"



Fast Release™ Straight Jaw Locking Pliers

PART#	DESCRIPTION
IRHT82576	10" Reduced Hand Span
IRHT82577	7"



Fast Release™ Long Nose Locking Pliers

PART#	DESCRIPTION
IRHT82582	9"
IRHT82583	6"



Vise-Grip® Locking Tools
Locking C-Clamps with Swivel Pads

PART#	DESCRIPTION
18	6"
20	11"
22	18"
28	24"
31	9"



Vise-Grip® Locking Tools
Locking Pliers Sets

PART#	DESCRIPTION
37	2 Piece
74	5 Piece Original
IRHT82591	3 Piece Fast Release
IRHT82593	5 Piece Fast Release
1771879	2 Piece Original 10WR, 7WR



Vise-Grip® Locking Tools
Pipe Wrenches

PART#	DESCRIPTION
274103	18" Cast Iron
274104	24" Cast Iron
2074110	10" Cast Iron
27400ISM	11" Quick Adjusting Wrench



Vise-Grip® Locking Tools
Diagonal Cutting Pliers

PART#	DESCRIPTION
2078307	7"
2078308	8"



Straight Jaw Locking Pliers

PART#	DESCRIPTION
102L3	10"
302L3	7"



Long Nose Locking Pliers

PART#	DESCRIPTION
1402L3	6"
1502L3	9"
1602L3	4"



Utility Knives & Blades

PART#	DESCRIPTION
2084100	Bi-Metal 5-Pack Utility Blades
2082300	Hi-Vis Retractable Utility Knife



Vise-Grip® Locking Tools
Pliers

PART#	DESCRIPTION
2078209	North American Lineman's
2078216	6" Long Nose Locking
2078218	8" Long Nose Locking



Vise-Grip® Locking Tools
Miscellaneous Pliers

PART#	DESCRIPTION
2078309	8" Multi-Tool
2078300	8" Self Adjusting Wire Strippers



Vise-Grip® Locking Tools

PART#	DESCRIPTION
2078714	8 Piece Mini Pliers Set



LENOX VARI-BIT® STEP DRILL BITS

PART#	Hole Size			Shank Size	
	IN	MM	# OF HOLE SIZES	IN	MM
30912VB12	7/8, 1-1/8, 1-7/32, 1-1/4, 1-3/8	22.2, 28.6, 31.0, 31.8, 34.9	5	3/8	9.5
30882VB2	1/2, 9/16, 5/8, 11/16, 3/4, 13/16, 7/8, 15/16, 1	12.7, 14.3, 15.9, 17.5, 19.1, 20.6, 22.2, 23.8, 25.4	9	3/8	9.5
30888VB11	7/8, 1-1/8 (for 1/2 and 3/4 conduit)	22.2, 28.6 (for 12.7 and 19.1 conduit)	2	3/8	9.5
30908VB8	3/16, 1/4, 5/16, 3/8, 7/16, 1/2, 9/16, 5/8, 11/16, 3/4, 13/16, 7/8	4.8, 6.4, 7.9, 9.5, 11.1, 12.7, 14.3, 15.9, 17.5, 19.1, 20.6, 22.2	12	3/8	9.5
30883VB3	1/4, 5/16, 3/8, 7/16, 1/2, 9/16, 5/8, 11/16, 3/4	6.4, 7.9, 9.5, 11.1, 12.7, 14.3, 15.9, 17.5, 19.1	9	3/8	9.5



30912VB12



30882VB2



30888VB11



30908VB8



30883VB3

LENOX HOLE SAW KITS & ACCESSORIES



LENOX Contractor's BIG DADDY™ SPEED SLOT® Hole Saw Kit, 26 Piece
308042000G



LENOX Electrician's SPEED SLOT® Hole Saw Kit, 17 Piece
308021200L



LENOX Standard Hole Saw Arbors
1779801
2L T2 3.25 drill

LENOX RECIPROCATING SAW BLADES

Wood Bi-Metal

PART#	QUANTITY
20582956R	5/pk
20558B956R	25/pk
20585156R	5/pk
22752OSB956R	50/pk

General Purpose Bi-Metal

Long Lasting, Fast Cutting and Versatile

PART#	QUANTITY
20580810R	5/pk
22758OSB110R	50/pk

Metal Cutting

PART#	QUANTITY
20487B818R	25/pk
22751OSB618R	50/pk
20566618R	5/pk
20529B618R	25/pk
20578818R	5/pk
22754OSB818R	50/pk



J-B WELD™ 8265SCAN
World's finest cold-weld compound.



J-B KWIKWELD™ PROFESSIONAL SIZE
8271CAN
Blister
Quick-setting Cold-Weld™ Epoxy
10oz./ea



MARINEWELD™ 8272CAN
Two-part epoxy cold weld system specially formulated for marine applications.



J-B WELD™ PRO 8281CAN
Blister
10oz./ea
The Original J-B Weld two-part epoxy cold weld system in a 10 oz. pro size



STEELSTIK™ - 2 OZ. 8267CAN
Steel Reinforced Epoxy Putty
Great for patching and repairing automotive and machine parts, plumbing, stripped threads and household repairs



WATERWELD™ SPECIALTY EPOXY PUTTY 8277CAN
Great for repairing plumbing, fuel tanks, tubs, showers, drains, boats and portable water tanks



J-B KWIKWELD™ 8276CAN
Quick setting steel reinforced epoxy



PLASTICWELD EPOXY PUTTY STICK 8237CAN



PERMANENT REPAIR CAST 38236CAN
2x36"



PIPE REPAIR CAST 38248CAN
2x48"



EXHAUSTWELD™ 38572CAN
2" x 72" Repair Wrap
High strength fiberglass wrap, with a specially formulated resin for high temperature resistant repairs.



HIGH HEAT™ EPOXY PUTTY - 2 OZ. 8297CAN



J-B PLASTIC WELD™ 50132CAN - 25ml
Two-part adhesive and epoxy filler system that provides for strong, lasting repairs



J-B CLEAR WELD™ 50112CAN - 25ml
50114CAN - 14ml
Quick setting clear epoxy



J-B PLASTIC BONDER™ 50133CAN - Tan
50139CAN - Black
High strength structural adhesive





JB ORIGINAL SYRINGE
50165CAN - 25ml
Our strongest epoxy-5020 PSI for a strong, permanent bond



MARINEWELD™ EPOXY SYRINGE WHITE 25ML
50172CAN
Great for boats, personal watercraft, deck and hull accessories and more



J-B KWIKWELD™
50176CAN
Quick setting steel reinforced epoxy



CLEAR SILICONE SEALANT & ADHESIVE
31310CAN - 85g
General purpose
Sets in 1 hour and will not shrink or crack



HI-TEMP RED SILICONE
31314CAN - 85g
Great for oil pans, valve covers, exhaust manifolds, differential covers and more



BLUE SILICONE
31316CAN - 85g
Sensor safe RTV silicone gasketing material designed for use in mechanical assemblies



BLACK SILICONE
31319CAN
General purpose black RTV silicone designed for sealing and bonding uneven surfaces



ULTIMATE GREY
32327CAN
ULTIMATE BLACK
32329CAN

Sets in 1 hour and will not shrink or crack



CLEARWELD™ PROFESSIONAL SIZE
50240CAN
8oz
Crystal clear epoxy sets in 5 minutes and cures in 1 hour



PERMA-LOCK™ THREADLOCKERS MEDIUM STRENGTH BLUE

24206CAN - 6ml
24236CAN - 36ml



PERMA-LOCK™ THREADLOCKERS HIGH STRENGTH RED

27106CAN - 6ml
27136CAN - 36ml



SUPERWELD™
33106CAN Brushable - 6g
33120CAN - 20g



J-B EXTREMEHEAT™
37901CAN
Organic repair paste able to withstand extreme heat up to 1000°F

DISPOSABLE WIPERS



Scott® Shop Towels - Original Shop Towel

PART#	QUANTITY
75147	55 towels/roll, 12 rolls/case; Blue
75190	8 Pop-Up Boxes per case, 200 sheets / box; Blue, 9 x 12" sheets
55423	200 sheets/roll, 4/case, 9 x 12" sheets Replaces Krew 400 #33046 Substitute for WypAll #05796



WypAll® Power Clean ProScrub™ Pre-Saturated Wipes

PART#	QUANTITY
58310	8 portable canisters of 50 sheets per case;
91371	6 containers of 75 sheets per case; (9.5" x 12" each)
91367	6 refill packs of 75 sheets



WypAll® Power Clean X80 Heavy Duty Cloths

PART#	QUANTITY
41043	475 sheets/roll (each is 12.5" x 12.2")
41041	1 Brag™ Box/160 sheets each

Strong enough to replace laundered rental shop towels



WypAll® General Clean X60 Multi-Task Cleaning Cloths

PART#	QUANTITY
34965	1100 sheets / roll
54015	1 Brag™ Box/236 sheets each

Outperforms and saves money vs. assorted textile recycled rags



WypAll® Oil & Grease Cloths

PART#	QUANTITY
33241	1 Jumbo Roll/717 sheets
33352	1 Brag™ Box/180 sheets

Lint free and absorbs 8x its weight in oil & grease



HARD ROLL TOWEL SYSTEMS

PART#	DESCRIPTION	PLY	SIZE (WXL)	QTY/UNIT	UNITS/CASE	FITS DISPENSER
01000	Scott® Essential High Capacity Hard Roll Towels	1	8.0" x 1,000'	1,000'	12 rolls	09990
02000	Scott® Essential High Capacity Hard Roll Towels	1	8.0" x 950'	950'	6 rolls	09996 48857
50606	Scott® Essential Plus+ Hard Roll Towels	1	8.0" x 600'	600'	6 rolls	

BATHROOM TISSUE SYSTEMS

PART#	DESCRIPTION	PLY	SIZE (WXL)	QTY/UNIT	UNITS/CASE	FITS DISPENSER
07805	Scott® Essential Jumbo Roll Tissue	2	3.55" x 1,000'	1,000'	12 rolls	09507
48040	Scott® Essential SRB Tissue	2	4.1" x 4.0"	550 sts.	40 rolls	09021
17713	Cottonelle® SRB Tissue	2	4.09" x 4.0"	451 sts.	60 rolls	09021

SKIN CARE SYSTEMS

PART#	DESCRIPTION	FRAGRANCE	DELIVERY FORMAT	SIZE	FITS DISPENSER
91565	Scott® Essential Green Certified Foam Skin Cleanser	Unscented	Manual Cassette	1.0 L	92145
91591	Scott® Essential Green Certified Foam Skin Cleanser	Unscented	Electronic Touchless Cassette	1.2 L	32504

KLEENEX® FACIAL TISSUE

PART#	DESCRIPTION	PLY	SIZE (WXL)	QTY/UNIT	UNITS/CASE
21400	Kleenex® Facial Tissue, flat box	2	8.3" x 7.8"	100 sts.	36 bxs.

1-PACK TREES



X-TRA STRENGTH



VENT LIQUID



VENT WRAP



FIBER CAN



DISPLAYS



SPRAY





LOCTITE BLUE THREADLOCKER STICK - MEDIUM STRENGTH

37643 - 9g Carded Tube
37614 - 19g Carded Bottle
Non-drip portable stick threadlocker, removable with hand tools. Locks & seals 1/4" to 3/4" bolts. Excellent for overhead applications, great for mobile mechanics.



LOCTITE 242 THREADLOCKER - MEDIUM STRENGTH

38621 - 6ml Carded Tube
38622 - 36ml Carded Bottle
Blue liquid threadlocker. Removable with hand tools. Locks & seals 1/4" to 3/4" bolts. Prevents loosening due to vibration.



LOCTITE 262 THREADLOCKER - HIGH STRENGTH

38637 - 6ml Carded Tube
38647 - 36ml Carded Bottle
Red liquid threadlocker. High strength, withstands shock & vibration. Locks & seals up to 3/4" fasteners.



LOCTITE 271 THREADLOCKER - HEAVY DUTY

38623 - 6ml Carded Tube
38624 - 36ml Carded Bottle
Red liquid threadlocker. Resists extreme shock & vibration. Locks & seals up to 1" bolts.



LOCTITE 620 BEARING MOUNT - HIGH TEMPERATURE

38626 - 36ml Carded Bottle
Green, high-strength retaining for press or slip-fit parts. Pins, bushings, bearings. 450°F temperature resistance. New or worn parts.



LOCTITE RED THREADLOCKER STICK - HIGH STRENGTH

37701 - 9g Carded Tube
37700 - 19g Carded Bottle
Non-drip portable stick high-strength threadlocker. Locks & seals up to 3/4" bolts. Excellent for overhead applications, great for mobile mechanics.



LOCTITE 243 THREADLOCKER - BLUE PRIMERLESS

1330902 - 6ml Carded Tube
1330906 - 36ml Carded Bottle
Low drip, blue liquid threadlocker. Primerless for multi-metal or coated fasteners. Locks & seals 1/4" to 3/4" bolts. Removable with hand tools.



LOCTITE 263 THREADLOCKER - HIGH STRENGTH PRIMERLESS

2203451 - 6ml Carded Tube
2205310 - 36ml Carded Bottle
Low drip, red liquid threadlocker. Primerless for multi-metal or coated fasteners. Resists shock & vibration. Locks & seals up to 1" bolts.



LOCTITE 277 THREADLOCKER - HEAVY DUTY/LARGE BOLTS

38627 - 36ml Carded Bottle
Red liquid threadlocker. Resists extreme shock & vibration. Locks & seals fasteners over 1".



LOCTITE 660 PRESS FIT REPAIR - FOR WORN PARTS

38651 - 50ml Carded Tube
Silver, high-strength retaining for worn parts. Pins, bushings, bearings. Fills gaps up to 0.020". 300°F temperature resistance.



LOCTITE 565 THREAD SEALANT - HIGH PERFORMANCE

38635 - 50ml Carded Tube
Locks & seals threaded metal pipe fittings. Controlled strength. Non-shrinking & fast cure. Resists common fluids, fuel, coolant, oils.



LOCTITE SI 595 RTV CLEAR SILICONE

38617 - 80ml Carded Tube
38618 - 300ml Cartridge
Clear, multi-use adhesive sealant. Creates a tough, highly flexible silicone rubber seal. Waterproof.



LOCTITE HIGH FLEX FORM-IN-PLACE GASKET - ANAEROBIC

38628 - 50ml Carded Tube
Blue gasket maker with added flexibility for flange movement. Replaces gaskets on rigid metal flanges with less than 0.010" gap.



LOCTITE SI 5900 READY GASKET - GASKET MAKER

1093354 - 5oz Cartridge
2634173 - 190ml aerosol
2207527 - 300ml Cartridge
Elastomeric rubber sealant makes leakproof gaskets in one minute. Immediate return to service. Bonds through oily surfaces. Resists oils & coolant. Sensor safe.



LOCTITE SI 598 RTV BLACK SILICONE GASKET MAKER

41241 - 80ml Carded Tube
2638166 - 190ml aerosol
41240 - 300ml Cartridge
Black elastomeric rubber gasketing material. Retains high-flexibility & oil resistance properties. Sensor safe.



LOCTITE 592 THREAD SEALANT - HIGH TEMPERATURE

38613 - 50ml Carded Tube
Locks & seals threaded metal pipe fittings. 400°F temperature resistance. Parts may be repositioned up to 24 hours after assembly. Resists common fluids, fuel, coolant, oils.



LOCTITE 515 GASKET MAKER - ANAEROBIC

38625 - 50ml Carded Tube
Flexible gasket maker for use on rigid metal flanges with less than 0.015" gap. Flexes with flanges that move in service. Replaces pre-cut gaskets.



LOCTITE 518 GASKET MAKER - ANAEROBIC

2096058 - 50ml Carded Tube
Gasket maker for rigid aluminum and metal flanges. Fills gaps up to 0.050". Replaces pre-cut gaskets.



LOCTITE SI 5920 RTV COPPER SILICONE GASKET MAKER - HIGH PERFORMANCE

38639 - 80ml Carded Tube
38640 - 300ml Cartridge
Premium gasketing for 4-cylinder, high-performance or turbocharged engines. Operating temperatures to 700°F. Resists oils & coolant. Sensor safe.



LOCTITE 5699 RTV GREY SILICONE GASKET MAKER

38633 - 80 ml Carded Tube
Grey silicone gasket maker, for modern part designs with close bolt spacing. Excellent coolant resistance, outstanding oil tolerance. Sensor safe.



LOCTITE 4070 STRUCTURAL INSTANT ADHESIVE HYBRID

2264448 - 10 ml Boxed kit with 4 Nozzles
The essential repair adhesive. Solves virtually any repair challenge when time is limited. Rapidly bond a variety of damaged vehicle components. High strength and impact resistance. Makes fast and easy repairs to many materials.

Typical Applications: Interior trim pieces, consoles, dash components, molded bumpers, trim repair, custom fabrication.



LOCTITE LB 8008 C5-A ANTI-SEIZE LUBRICANT - COPPER

38605 - 8oz. Brush-Top Can
38604 - 1lb. Brush-Top Can
High temperature resistant anti-seize and thread lubricant. Prevents seizing, galling and corrosion. Provides good electrical conductivity.



LOCTITE LB 8150 ANTI-SEIZE LUBRICANT - SILVER

38619 - 8oz. Brush-Top Can
38620 - 1lb. Brush-Top Can
Prevents seizing, galling and corrosion. For use in assemblies up to 1600°F (871°C).



LOCTITE LB 8023 MARINE GRADE ANTI-SEIZE

34395 - 8oz. Brush-Top Can
34026 - 1lb. Brush-Top Can
Highly resistant to fresh and salt water wash out - under car applications. Extreme temperature & humidity resistance. Metal free, prevents galvanic corrosion.



LOCTITE EA 445 EPOXY MIXER CUPS

37513 - Canister
10 pk of 4g Mixer Cups
Pre-measured epoxy in cups, bonds most materials. Excellent chemical resistance. Bonds in 5 - 15 minutes. Sandable & paintable.



LOCTITE LB 8423 DIELECTRIC TUNE-UP GREASE

37535 - 80ml Carded Tube
Protects electrical connections from salt, dirt & corrosion. Ideal for spark plug boots, marine & automotive electrical connections, trailer wiring.



LOCTITE 596 RED RTV HIGH TEMP SILICONE SEALANT

37469 - 80 ml Carded Tube
38629 - 300 ml Cartridge
Tough, flexible, waterproof, oil-resistant silicone rubber bond. Resists ageing, weathering and thermal cycling without hardening, shrinking or cracking. Used in applications with an operating range of -50°C to +316°C (600°F). Used in industrial furnaces, ovens, boilers, exhaust stacks, high temperature ducting, and heating elements in electrical appliances.



OCTANE BOOSTER

20026 (444ml)
Lucas Octane Booster - A Real Octane Booster! Tested and proven to deliver three times more boost than most other brands. Lucas Octane Booster is a GENUINE Performance Enhancer! It's safe for turbos, oxygen sensors and catalytic converters. Stops knocks, and raises MPG in high compression engines.



COMPLETE ENGINE TREATMENT

20016 (473ml)
Lucas Complete Engine Treatment is a unique formulation that cleans and lubricates multiple systems in your vehicle. When added to fuel, it cleans and lubricates all components from the fuel tank to the cylinders. It removes deposits, protects against corrosion and helps the fuel to burn more completely, which helps to lower emissions, improves fuel mileage and increases power. When added to your oil, Lucas Complete Engine Treatment cleans your engine and forms a protective barrier against heat and friction, improves oil flow in cold weather and extends oil life. FOR ALL ENGINES AND OIL TYPES.



DEEP CLEAN FUEL SYSTEM CLEANER

20512 (473ml)
Lucas Deep Clean is blended with an exclusive Lucas additive package and specific carrier fluid that contains no diesel fuel, kerosene or anything else that can be harmful or useless to an engine. It also reduces NOx emissions, eliminates the need for higher octane fuel and deep cleans the entire fuel system and combustion chamber.



CETANE POWER BOOSTER

21031 (473ml)
Lucas Cetane Power Booster is a diesel fuel supplement that contains effective lubricants for the engine's high-pressure fuel injection pump. Expect cleaner exhaust, longer filter life, easier start ups and smoother idle, as well as, more power, more MPG and longer engine life. It adds much needed cleaners and lubricants to the diesel fuel and reduces wear by more than 27% in unadditized diesel fuel. It maintains peak performance by reducing injector coking and internal injector deposits. It also lubricates rings and cylinders for longer engine life.



SYN HD OIL STABILIZER

20130 (946ml)
Light enough for an import - Tough enough for a semi. Use in new equipment which requires synthetic oils or any equipment that needs enhanced performance. It can also be used to protect new and used Heavy Duty and High Performance transmissions, gear boxes and engines. Controls heat and wear in motorcycles, air-cooled engines and all drive train components. Reduces friction for increased power and MPG.

In Ford Powerstrokes we suggest one quart of Pure Synthetic Oil Stabilizer per oil change.



ENGINE OIL STOP LEAK

20278 (946ml)
Lucas Engine Oil Stop Leak is an all new formulation of Lucas additives and very specific base stocks designed to stop seal leaks in engines!



DIESEL DEEP CLEAN

20872 (473ml)
Lucas Diesel Deep Clean is a new Lucas technology developed to reduce the cost and hassle of particulate filter maintenance. It is an excellent preventative maintenance product. It causes the fuel to burn much cleaner, thus eliminating a lot of particulate matter that would otherwise go into the exhaust system causing "regens." It also cleans out much of the matter already trapped in the filter. This eliminates exhaust backpressure allowing the engine to run easier and cooler as well as lowering the aggravation and down time associated with particulate filters.



SAFEGUARD™ ETHANOL FUEL CONDITIONER WITH STABILIZERS

20576 (473ml)

Lucas Safeguard™ Ethanol Fuel Conditioner with Stabilizers was developed to specifically address issues associated with using ethanol based fuels. This applies to E-10, E-15, E-85, pure ethanol and any mixtures in between including gasoline. Our Product is completely soluble in all ethanol fuels and will not harm filters. Lucas Safeguard™ Ethanol Fuel Conditioner with Stabilizers contains effective additives to prevent rust and corrosion associated with the use of ethanol fuels.



POWER STEERING FLUID W/ CONDITIONERS

20442 (473ml)

Lucas Power Steering Fluid with Conditioners is formulated with the finest base oils and a special Lucas additive package that outperforms all others, providing smooth, quiet operation while conditioning seals to prevent leaks.



SYNTHETIC MULTI-VEHICLE ATF

20418 (946ml)

Lucas Oil Multi-Vehicle ATF provides today's transmission with excellent oxidation stability, foam resistance, rust and corrosion inhibition properties, wear protection and heat resistance while providing smooth shifting and eliminating chatter.



SYNTHETIC MULTI-VEHICLE CVT FLUID

20111 (946ml)

Lucas Synthetic Multi-Vehicle CVT Fluid is a premium, full synthetic transmission fluid specifically designed for use in passenger cars with steel belt-driven or chain continuously variable transmissions. Lucas CVT Fluid guards against wear & corrosion. It resists shear thinning better than typical CVT fluids. Lucas CVT Fluid provides superior cooling, & excellent low-temperature fluidity for smoother operation in cold weather.



SEMI-SYNTHETIC 2-CYCLE OIL

20120 (473ml)

Lucas High Performance Semi-Synthetic 2-Cycle Oil has been specifically developed to give a long trouble-free life to gasoline-powered 2-cycle engines. Designed for any oil injection system or pre mix up to 50:1. Use in Snowmobiles, Weed Eaters, Leaf Blowers, Chain Saws and more.



SLICK MIST CERAMIC SPEED WAX

21294 (710ml)

Slick Mist® Ceramic Speed Wax is a Professional Paint Sealant and Durable Protectant anyone can use. May also be used on gel coat, glass and chromed surfaces. Overspray will not harm rubber and plastic trim. Also works great on aluminum surfaces, vinyl wraps, PPF, matte finishes and ceramic coated surfaces. We recommend use every one to two months. 100% compatible with Lucas Slick Mist Speed Wax.



SLICK MIST TIRE AND TRIM SHINE

20513 (710ml)

Lucas High Performance Semi-Synthetic 2-Cycle Oil has been specifically developed to give a long trouble-free life to gasoline-powered 2-cycle engines. Designed for any oil injection system or pre mix up to 50:1. Use in Snowmobiles, Weed Eaters, Leaf Blowers, Chain Saws and more.



BAG IN A BOX SYSTEM

Lucas Oil's "Bag in a Box" oil program is specifically designed to be used by dealerships, auto repair shops, and quick lubes for their ability to carry multiple oil grades and specialty items for faster lube servicing and dispensing. The packaging is 100% recyclable with an eco-friendly design that reduces waste by using less plastic and utilizing every drop of oil. Lucas Oil's most common motor oils are available in "Bag in a Box."

BEST AUTO



PROFESSIONAL CLEANING PRODUCTS

PROFESSIONAL CLEANING PRODUCTS



10" VEHICLE BRUSH - SOFT - GREEN

BV-300F
Plastic Block - Green Flagged Fill



BI-LEVEL VEHICLE BRUSH

BV-420
Green Flagged Fill - Soft Surfaces



WAREHOUSE CORN BROOM

BC-108 Heavy Duty
BC-110 Extra Stiff



WAREHOUSE CORN BROOM

BC-107C
Heavy-Duty Medium Sweep



30" HEAVY-DUTY CHEMICAL RESISTANT METAL MOSS SQUEEGEE - RED

FS-MH30-RD



30" HEAVY-DUTY METAL MOSS SQUEEGEE

FS-MH30
Use FH-W360-1T handle



22" METAL MOSS SQUEEGEE

FS-M22
Use FH-W360-1T handle



36" INDUSTRIAL STRAIGHT FLOOR SQUEEGEE

FS-S536
Use FH-W360-118T



TRACK/SWITCH INDUSTRIAL BROOM

BT-112
Heavy Duty Forged Chisel



12" VORTEX SOFT SWEEP ANGLE BROOM

BA-3220



10" MARS ANGLE BROOM

BA-9708



STEP-N-GO WET MOP HANDLE - FIBERGLASS

HW-7000F 60" handle
HW-7001F 54" handle



MEDIUM SWEEP PUSH BROOM HEAD - 24 INCH

PB-PE24



TAMPICO MEDIUM SWEEP PUSH BROOM

PB-T18 18"
PB-T24 24"



GARAGE CONCRETE - MEDIUM TO HEAVY DUTY SWEEP

PB-G24 24"



FINE SWEEP PUSH BROOM

PB-BT24 24"



LOBBY DUST PAN & BROOM

DP-L802



INDUSTRIAL LOBBY DUST PAN

DP-L800



12" PLASTIC DUST PAN

DP-H614



13" WIRE BRUSH - 3 ROW

BW-1037



16" STREET BROOM WITH BRACE & HANDLE ASSEMBLED

PB-700-ST16



RYNO PUSH BROOM - STIFF SWEEP BRACE & HANDLE

PB-700-GB18 18"
PB-700-GB24 24"
Assembled



RYNO MEDIUM PUSH BROOM - RED

PB-800-RB18 18"
PB-800-RB24 24"
Assembled



PUSH BROOM BRACE

PB-351



URINAL SCREEN W NON-PARA PUCK - LAVENDER

WA-US20



FLOOR SIGN "CAUTION WET FLOOR"

WF-7003
English/French/Spanish



10" CAR SQUEEGEE WITH 20" HANDLE

WS-CS1021-P



24OZ BOTTLE W TRIGGER

TS-BT289-12



10" STIFF SCRUB BRUSH - POLY BRISTLES W 54" HD METAL HANDLE

BD-1110-M54



VENUS CURVED MAGNETIC BROOM WITH 48" METAL HANDLE

BM-4200



16" HERCULES INDUSTRIAL ANGLE BROOM WITH X-LARGE DUST PAN

BA-3001



16" HERCULES INDUSTRIAL ANGLE BROOM

BA-3000



TR VC 8 DOME TYPE VALVE CAP
439 (Pack of 10)



TR VC8 GREEN PLASTIC DOME CAP
438 (Pack of 10)



TR VC3 DOME TYPE VALVE CAP
436 (Box of 100)



HIGH PERFORMANCE HEX HEAD VALVE CAP
435 (Box of 50)



1-1/2" TUBELESS TIRE VALVE
414-50 (Box of 50)



TR 413 TUBELESS TIRE VALVE
413-50 (Box of 50)



NICKEL PLATED VALVE CAPS
434 (Box of 50)



TR C1 TIRE VALVE CORE
404-100 (Box of 100)



1/4" MNPT H-STYLE AIR COMPRESSOR QUICK CONNECT AIR FITTING PLUG
1839 (Box of 10)



COMPRESSOR OIL
1002-32
32oz



1/4" NPT M-STYLE KWIK-CHANGE® COUPLER FEMALE
715 (Pack of 10)
S-715



1/4" NPT M-STYLE KWIK-CHANGE® COUPLER MALE
716 (Pack of 10)
S-716



3/8" M-STYLE FEMALE NATIONAL PIPE THREAD
S-718



AIR PLUG FITTING, M-STYLE®, 1/4" MNPT
727 (Pack of 10)
S-727



1/4" NPT A-STYLE PLUG
777 (Pack of 10)
777BK (Box of 250)
S-777



A-STYLE COUPLER
775 (Pack of 10)
S-775



A-STYLE COUPLER
776 (Pack of 10)



P-STYLE PLUG
1809 (Box of 10)
S-1809



P-STYLE COUPLER
1805 (Box of 5)
S-1805



1/2" NPT G-STYLE COUPLER
1815 (Box of 5)



P-STYLE COUPLER
1803 (Box of 5)
S-1803



P-STYLE PLUG
S-1807



1/4" FNPT H-STYLE COUPLER
1833 (Box of 5)



3/8" FNPT H-STYLE COUPLER
1835 (Box of 5)



3/8" MNPT H-STYLE PLUG
1837 (Box of 10)



1/4" FNPT M-STYLE® PLUG
728 (Box of 10)
S-728



1/4" FNPT FEMALE L-STYLE COUPLER - STEEL
790 (Box of 10)



1/4" MNPT L-STYLE PLUG
791 (Box of 10)
S-791



1/4" FNPT L-STYLE PLUG
792 (Box of 10)



1/4" NPT A-STYLE PLUG
778 (Box of 10)



TIRE PRESSURE GAUGE, 5-50 PSI SINGLE BALL-HEAD AIR CHUCK
S-921



TIRE TREAD DEPTH GAUGE
S-448



VALVE CORE REMOVAL AND INSERTION TOOL
S-444



STRAIGHT FOOT DUAL-HEAD AIR CHUCK TIRE PRESSURE GAUGE, 1/4"
S-693



1/4" FNPT DUAL HEAD AIR CHUCK
S-690



CLOSED BALL SINGLE-HEAD LOCKING AIR CHUCK WITH GRIP, 1/4" FNPT
S-698



1/4" SINGLE HEAD AIR CHUCK, CLOSED/SEALING CHUCK
S-699



DUAL-HEAD CHUCK SERVICE GAUGE 160 PSI
S-976



STRAIGHT FOOT DUAL-HEAD CHUCK SERVICE GAUGE
S-986



MOBIL 1™		
PART#		DESCRIPTION
MOBIL5W20	50251439	Mobil 1™ 5W-20 (6 x 1L)
MOBIL10W30	50252846	Mobil 1™ 10W-30 (6 x 1L)
MOBIL0W20	50251426	Mobil 1™ 0W-20 (6 x 1L)
MOBIL5W30	50255582	Mobil 1™ 5W-30 (6 x 1L)
MOBIL0W40	50251429	Mobil 1™ FS 0W-40 (6 x 1L)
125386	50264160	Mobil 1™ ESP X2 0W-20 (6 x 1L)
124947	50255962	Mobil 1™ 0W-16 (3 x 4.73L)
124033	50255453	Mobil 1™ EP 5W-30 (3 x 4.73L)



MOBIL SUPER™ SYNTHETIC		
PART#		DESCRIPTION
125517	50265177	Mobil Super™ Syn 0W-20 (6 x 1L)
125518	50265086	Mobil Super™ Syn 5W-30 (6 x 1L)
124412	50267125	Mobil Super™ Syn 5W-20 (3 x 4.73L)
124839	50262946	Mobil Super™ Syn Euro 5W-40 (6 x 1L)



MOBIL DELVAC™		
PART#		DESCRIPTION
124815	50262955	Mobil Delvac™ 1 ESP 5W-30 (3 x 4.73L)
124547	50262479	Mobil Delvac™ 1 ESP 0W-30 (6 x 1L)
122878	50252847	Mobil Delvac™ 1300S Semi-Syn 10W-30 (4 x 3.785L)
105492	50252558	Mobil Delvac™ 1300S Semi-Syn 15W-40 (4 x 3.785L)
125146	50264101	Mobil Delvac™ HDEO 10W-30 (4 x 3.785L)
125151	50264098	Mobil Delvac™ HDEO 15W-40 (4 x 3.785L)



MOBIL™ MULTI VEHICLE ATF		
PART#		DESCRIPTION
126504	50256846	Mobil™ Multi Vehicle ATF (3 x 4.73L)
126503	50252195	Mobil™ Multi Vehicle ATF (6 x 1L)

SPECIFICATIONS AND APPROVALS

- World's leading synthetic motor oil brand
- Chosen by many of the world's leading OEMs/carbuilders/car manufacturers
- Keeps your engine running like new
- Outstanding wear protection to help extend engine life
- Prevents harmful sludge and deposits

- Full synthetic motor oil
- Approved for GM dexos1™ use for 5W-30 and 0W-20 viscosities
- Extend engine life in vehicles of all ages
- Protect against sludge and wear
- Protect against high engine temperatures
- Mobil Super™ Syn Euro 5W40 – have the following approvals: BMW Longlife 01, MB-Approval 229.3 and 229.5, VW 502 00 and 505 00

- Mobil Delvac™ 1 ESP diesel engine oils are formulated to deliver exceptional performance
- Mobil Delvac™ 1300 Super is an advanced, synthetic blend, diesel engine oil
- Mobil Delvac™ HDEO and Mobil Delvac 1300 meet the requirements of API CK-4, CJ-4 service categories
- Meet the demands of Mack EOS-4.5, and Volvo VDS-4.5 service classification

- Mobil™ Multi Vehicle ATF is a premium full synthetic automatic transmission and power steering fluid formulated for use in a wide variety of vehicles
- Chrysler/Dodge/Jeep ATF+4,+3,+2, Ford Dexron LV, V, SP, G.M. Dexron VI, III, H, G,E,D, BMW, Honda, Hyundai, Kia, Mazda, Mitsubishi, Nissan, Infinity V.W. Audi, Volvo



FLUID FILM		
SIZE	ORIGINAL	BLACK
145 g	1450	N/A
333 g	3300	6300
3.78 L	3700	6400
18.9 L Pail	4300	6500
208 L Drum	4500	6600
237 mL Brush Top Can	5207	N/A

All ORIGINAL Stock numbers above are Canadian Food Inspection Agency Approved (CFIA #N184).

RUST'S WORST ENEMY • WOOL WAX FORMULA

Powerful Rust & Corrosion Protection, Excellent Vehicle Undercoating, Superior Lubricant & Long-Term Penetrant. Environmentally Friendlier, Solvent Free and Non-Toxic.

For Many Uses:

Auto • Truck • Farm • Home • Marine • Forestry • Mining • Industrial • RVs • Buses • Trailers • Chains • ATVs • Aircraft • Military • Salt Trucks • Cable • Battery Terminals • Tools • Fertilizer Spreader • Electrical Connectors

The Most Universal Product You Will Ever Use!!



LIQUITUBE PREMIUM HEAVY DUTY TIRE SEALANT

PART#	SIZE
95544	946 mL
95555	3.78 L w/pump
95566	18.9 L Pail
95577	Combo 18.9 L Pail (w/pump)
95578	208 L Drum



Extends The Life Of Your Tire!

Runs Tires Approx. 35% Cooler! Maintains Consistent Tire Pressure!

Helps Eliminate Flats! Lasts The Life Of The Tire!

Ideal for Trucks, Farming, Lawn & Landscaping, ATV's, Trailers, Buses, Cars, RVs, Bicycles, Mining, Forestry & Construction Heavy Equipment.

For Air or Nitrogen filled or Tubeless Tires. Provides Better Fuel Economy.

Non-Flammable • Non Explosive

- Permanently seals punctures
- Seals 6 mm (1/4") punctures in tread area
- Seals larger punctures up to 19 mm (3/4") in heavier ply tires
- Seals most bead and rim leaks



RUST DESTROYER

PART#	SIZE	AVERAGE COVERAGE
73013	340 g	15 sq. ft.
73005	18.9 L	1500 sq. ft.



- Heat resistant up to 800°F (427°C)
- Apply directly over rust
- No sand blasting
- No scraping to bare metal
- Works with most top coat paint
- No washing before or after application
- No sanding glossy finishes to improve adhesion

THE RUST STOPS HERE!

Primer & Rust Treatment In One Product.

Rust Destroyer® is a PATENTED primer engineered to be applied directly over rusted metal, rusted painted metal, bare metal, galvanized metal, aluminum, tin and core tan steel. It converts active rust to a passive form on contact. An absorbing action in the primer film simultaneously raises the rust from the surface and envelops all converted crystals in the primer, eliminating exposure to oxygen and moisture, which will prevent further rusting. It forms a tough shield that adheres to all paints and provides a continuous protective layer.



BreakThru®

BREAKTHRU®, FAST PENETRATING OIL

PART#	SIZE
C10	370 g

Heavy Duty • Pure Blend Fast Penetrating Oil

Frees Frozen & Rusted Parts. Environmentally Friendlier. Canadian Food Inspection Agency Approved (CFIA #N184)

• Solvent Free • Non Hazardous
BreakThru®, Fast Penetrating Oil, is a highly refined oil-based product that infiltrates components quickly. Frees Frozen - Rusted Parts!
No Silicone or Teflon.

For Many Uses:

- Bolts • Engine Parts • Hinges • Locks • Bearings • Bicycle & Motorcycle Chains • Chains • Rollers Wheels & Other Moving Parts • Aluminum • Chrome • Steel Surfaces • Guns • Fishing Equipment • Industrial Machinery • Relays, Switches • Tools & Many More.

GLOOZIT®

GLOOZIT®

PART#	SIZE
8312 (Auto)	90 mL
8612 (Marine/RV)	
8812 (Industrial)	



A series of premier adhesives in six popular SKU's (12/case) to cover most of your GLOOING needs. "Gloozit®" is an all purpose UV RESISTANT INDUSTRIAL STRENGTH ADHESIVE & SEALANT". Once cured GLOOZIT® remains flexible, is able to withstand temperature changes as well as the expansion and contraction of dissimilar materials. GLOOZIT® bonds virtually everything. Apply at room temperature. Recommended ambient & surface temperature of 4°C (40°F) to 32°C (90°F).



TECH STEEL®

Steel Reinforced Epoxy Putty • Steel Hard in 15 minutes and Full Cure in 1 Hour.

TECH STEEL

PART#	SIZE
16002	65 g
6004	130 g



Permanently Adheres To:

- AUTO/TRUCK: Gas Tanks, Tailpipes, Mufflers, Intake Manifolds, Radiators, Blocks
- HOME: Furniture, Appliances, Hot Tubs, Pools, Gutters, Screens, Glass, Woodwork
- FARM: Farm Equipment, Fuel Tanks, Troughs, Fences, Irrigation Equipment
- MARINE: Fiberglass, Aluminum, Inboard/Outboard Motors, Gas Tanks, Water Tanks
- HOBBIES: Crafts, Jewelry, Ceramics, Plastics, Models, Molds, Glass, Toys
- PLUMBING: PVC, ABS, Faucets, Fixtures, Porcelain, Copper, Brass, Stripped Screws

Auto Fluid Diagnostic Test Strips



AUTO & LIGHT TRUCKS RADCHEK® TEST STRIPS FOR EXTENDED LIFE & CONVENTIONAL COOLANTS IN GAS & ELECTRIC VEHICLES ONLY

1570
70 STRIPS / BOTTLE
TESTS: Reserve Alkalinity, pH levels & Glycol (freeze point / boiling point).
TESTS: IAT, NOAT, HOAT, OAT



pH BRAKE FLUID TEST STRIPS

80700
70 STRIPS / BOTTLE
Synthetic & Conventional DOT 3, 4, & 5.1
TESTS: Automotive and Heavy Duty Brake Fluids. Provides reliable results to determine the pH condition of the Brake Fluid.
Dip and read in 30 seconds.



FLUID MOISTURE TEST STRIPS

80600
5 STRIPS / CARD
FOR 5 OILS - ATF, ENGINE (GAS & DIESEL) OIL, POWER STEERING, HYDRAULIC, ALL BRAKE FLUIDS, Synthetic & Conventional DOT 3, 4, & 5.1
• Fluid Diagnostic Test Strips assess the health of the fluid and identifies when a fluid needs to be changed.
• Detects moisture content from 0 - 5%.



TESTS FOR COOLANT PRESENCE IN ENGINE (Gas & Diesel) OIL & AUTOMATIC TRANSMISSION FLUID

80900
50 STRIPS / BOTTLE
• Highly unique, quick & affordable measure.
• Detects coolant presence from 0 - 6%.
• Auto & Heavy Duty Vehicles

Hydrocarbon Test Strips



DETECT THE PRESENCE OF OIL IN DEF, COOLANT & WATER

80508
50 STRIPS / BOTTLE
Effective Field or Laboratory test to detect the presence of Hydrocarbons (e.g., Fuels, Lubricants, Oils, Diesel, Gasoline, Kerosene, Etc.) in Diesel Exhaust Fluid (DEF), Coolants, Tap & Ground Water as well as a variety of Other Liquids including Contaminated Soil. Signs of a Blown Head Gasket can be determined by the presence of Oil in Coolants. Simply dip the strip Blue Pad into the Fluid to be tested. To test for Oil Contamination in Soil, press the Blue Pad firmly against the soil, then gently rinse away the debris with clear water. If contaminated Black Spots will appear on the Blue Pad.

RADCHEK® Ultimate Test Strips, "CC" & "ELC" Heavy Duty Coolant

THE ONLY STRIP THAT TESTS ALL 4 HEAVY DUTY COOLANT TYPES, IAT, NOAT, HOAT, OAT IN HEAVY DUTY DIESEL & HEAVY DUTY ELECTRIC VEHICLES ONLY

Tests 99% Of All 4 Heavy Duty Coolants: IAT, NOAT, HOAT, OAT
TESTS: Freeze Point (Glycol), OAT's (NOAT, HOAT, OAT, 3 O's), Nitrite, pH, Conventional Coolant (CC) • Extended Life Coolant (ELC)



PART#	STRIPS/BOTTLE
52404	4
52410	10
52420	20
52100	100





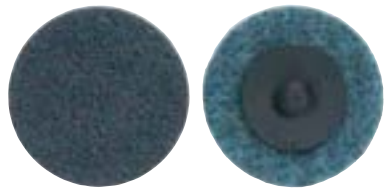
NORTON BLAZE X Rapid PREP



SPEED-LOK® TR DISCS - NORTON BLAZE™

PART#	DESCRIPTION	SPECS
62324	2" Speed-Lok TR Disc	80
62322	2" Speed-Lok TR Disc	60
62318	2" Speed-Lok TR Disc	36
62334	3" Speed-Lok TR Disc	80
62332	3" Speed-Lok TR Disc	60
62330	3" Speed-Lok TR Disc	50
62328	3" Speed-Lok TR Disc	36

NORTON BEAR-TEX



SPEED-LOK® TR DISCS - NORTON BEAR-TEX®

PART#	DESCRIPTION	SPECS
09189	2" Speed-Lok TR Bear-Tex Surf Blend Disc	Very Fine
09190	2" Speed-Lok TR Bear-Tex Surf Blend Disc	Medium
09191	2" Speed-Lok TR Bear-Tex Surf Blend Disc	Coarse
09192	3" Speed-Lok TR Bear-Tex Surf Blend Disc	Very Fine
17522	3" Speed-Lok TR Bear-Tex Surf Blend Disc	Medium
09194	3" Speed-Lok TR Bear-Tex Surf Blend Disc	Coarse

NORTON BLUEfire



SPEED-LOK® TR DISCS - NORTON BLUEFIRE®

PART#	DESCRIPTION	SPECS
21049	2" Speed-Lok TR Disc	80
21048	2" Speed-Lok TR Disc	60
38670	2" Speed-Lok TR Disc	50
38671	2" Speed-Lok TR Disc	36
38672	2" Speed-Lok TR Disc	24
21054	3" Speed-Lok TR Disc	80
38673	3" Speed-Lok TR Disc	50
38674	3" Speed-Lok TR Disc	36
38675	3" Speed-Lok TR Disc	24

NORTON MEDALLION



CUT OFF BLADES - NORTON MEDALLION™

PART#	DESCRIPTION
89032	3" x 1/32" x 3/8" Cut-off Blade
89030	3" x 1/16" x 3/8" Cut-off Blade
89034	3" x 3/16" x 3/8" Cut-off Blade

PSA DISCS - NORTON A275

NORTON A275OP™



PART#	DESCRIPTION	SPECS
31468	6" PSA Disc Roll (100/roll)	P800B
31469	6" PSA Disc Roll (100/roll)	P600B
31471	6" PSA Disc Roll (100/roll)	P400B
31473	6" PSA Disc Roll (100/roll)	P320B
31474	6" PSA Disc Roll (100/roll)	P280B
31475	6" PSA Disc Roll (100/roll)	P240B
31476	6" PSA Disc Roll (100/roll)	P220B
31477	6" PSA Disc Roll (100/roll)	P180B
31479	6" PSA Disc Roll (100/roll)	P120B
31480	6" PSA Disc Roll (100/roll)	P100B
31481	6" PSA Disc Roll (100/roll)	P80B

SHEETS - NORTON A275



PART#	DESCRIPTION	SPECS
31621	9" x 11" Sheet	P800B
31622	9" x 11" Sheet	P600B
31624	9" x 11" Sheet	P400B
31626	9" x 11" Sheet	P320B
31628	9" x 11" Sheet	P240B
31629	9" x 11" Sheet	P220B
31630	9" x 11" Sheet	P180B
31631	9" x 11" Sheet	P150B
31632	9" x 11" Sheet	P120B
31634	9" x 11" Sheet	P80B

HOOK AND LOOP® DISCS - NORTON GOLD RESERVE™ A296

NORTON GOLD RESERVE



PART#	DESCRIPTION	SPECS
06226	6" Hook and Loop Disc	P800C
06227	6" Hook and Loop Disc	P600C
06228	6" Hook and Loop Disc	P500C
06229	6" Hook and Loop Disc	P400C
06230	6" Hook and Loop Disc	P320C
06231	6" Hook and Loop Disc	P220C
06232	6" Hook and Loop Disc	P180C
06234	6" Hook and Loop Disc	P120C
06235	6" Hook and Loop Disc	P100C
06236	6" Hook and Loop Disc	P80C





PROTECTIVE PLASTIC - NORTON BLUE WRAP™



PART#	DESCRIPTION	SPECS
05921	Bucket Seat Covers	Non-Slip
05923	Floor Mats - 16-1/2" x 21"	Non-Slip

DOUBLE SIDED ACRYLIC ATTACHMENT TAPE - RED LINER



PART#	DESCRIPTION	SPECS
05620	1/4" x 20 yds. Attachment Tape	.045 thick
05621	1/2" x 20 yds. Attachment Tape	.045 thick
05622	7/8" x 20 yds. Attachment Tape	.045 thick

OVERSPRAY PROTECTIVE SHEETING



PART#	DESCRIPTION
06728	16' x 400' Protective Sheeting

NORTON BLUE SHEETING™ TRI-LAYER PAINTABLE SHEETING



PART#	DESCRIPTION	SPECS
03344	12' x 400' Paintable Sheeting	.4 mil thick
03345	16' x 350' Paintable Sheeting	.4 mil thick

REVvive by RSG Accessories



PART#	DESCRIPTION
91380	Premium Eraser Wheel

WINDSHIELD ADHESIVE



PART#	DESCRIPTION
82735	Urethane Windshield Sealer

PART NO.	DESC	WEIGHT	QTY/BOX
300360ST	QUIKSTIK® STEEL Standard Profile Heavy Duty Adhesive Weight .3125" x 1"	1/2 oz Segment 6 oz Strip	30 Strips 360 Segments / Box
200576FER	Low Profile STEEL Adhesive Wheel Weight Roll 0.1875" x 0.75"	1/4 oz segments	704 segments / Roll
200576FE	Low Profile STEEL Adhesive Wheel Weights H 3/16"	1/4 oz Segments 3 oz Strip	48 Strips 576 Segments / Box
FN015FE	STEEL FN COATED	15g	25 / Box
FN020FE	STEEL FN COATED	20g	25 / Box
FN030FE	STEEL FN COATED	30g	25 / Box
MC025FE	STEEL MC COATED	0.25 oz	25 / Box
MC050FE	STEEL MC COATED	0.5 oz	25 / Box
MC075FE	STEEL MC COATED	0.75 oz	25 / Box
MC100FE	STEEL MC COATED	1 oz	25 / Box
MC125FE	STEEL MC COATED	1.25 oz	25 / Box
MC150FE	STEEL MC COATED	1.5 oz	25 / Box
MC175FE	STEEL MC COATED	1.75 oz	25 / Box
P050FE	PFE-SERIES Clip-On Wheel Weights	0.5 oz	25 / Box
P100FE	PFE-SERIES Clip-On Wheel Weights	1 oz	50 / Box



300360ST



200576FER



200576FE



FN015FE



P100FE



PERMATEX® BLUE MEDIUM STRENGTH THREADLOCKER

24200 - 6ml Carded Tube
24240 - 36ml Carded Bottle
24250 - 50ml Bottle
24215 - 10g Carded Tube Gel Twist
Medium strength, general purpose Threadlocker.



PERMATEX® RED HIGH STRENGTH THREADLOCKER

26200 - 6ml Carded Tube
26240 - 36ml Carded Bottle
26250 - 50ml Bottle
27115 - 10g Carded Tube Gel Twist
High strength threadlocker.



PERMATEX® ORANGE HYBRID STRENGTH THREADLOCKER

25209 - 10ml Carded Tube
25236 - 36ml Carded Tube
Hybrid Strength Threadlocker



PERMATEX® THREAD SEALANT

59206 - 6ml Carded Tube
59234 - 50ml Carded Tube

PERMATEX® HIGH PERFORMANCE 565

56550 - 50ml Carded Tube

PERMATEX® MAXIMUM TEMPERATURE 567

56750 - 50ml Carded Tube
Locks and seals threaded fittings.



THE RIGHT STUFF® BLACK INSTANT SEAL GASKET

26015 - 212g Power Can
30874 - 147ml Cartridge
30876 - 300ml Cartridge
30875 - 3pk Kit (w/gun)
Seals instantly, forming a reliable, long lasting elastomeric rubber gasket. Remains flexible.



THE RIGHT STUFF® GREY INSTANT SEAL GASKET

30870 - 147mL Cartridge
34310 - 300mL Cartridge
Seals instantly, forming a reliable, long lasting elastomeric rubber gasket. Ideal for rigid cast aluminum parts.



PERMATEX® ANAEROBIC GASKET

51550 - 50mL Carded Tube
51580 - 300mL Cartridge
51850 - 80mL Carded Tube
51845 - 300mL Cartridge
Use for gasketing close fitting, rigid-machined flanges with gaps of 0.25mm (0.01"). Ideal for rigid cast aluminum parts.



THE RIGHT STUFF® 90-MINUTE GASKET

30873 - Black, 80mL Carded Tube
30871 - Red, 80mL Carded Tube
30872 - Grey, 80mL Carded Tube
Provides the quickest return-to-service time of any gasket in an 80mL squeeze tube. Creates a reliable, long lasting elastomeric rubber gasket.



PERMATEX® RED HIGH TEMP RTV GASKET

59403 - 80mL Carded Tube
59413 - 300mL Cartridge
Formulated for high temperature applications or heavy-duty use.



PERMATEX® GASKET SEALANTS

58912 - 80mL Tube - Form-A-Gasket #1
58922 - 80mL Tube - Form-A-Gasket #2
80017 - 473mL Can - Aviation Form-A-Gasket #3
58981 - 118mL Can - High Tack® Sealant
80546 - 255g Aerosol - Spray-A-Gasket®
58985 - 255g Aerosol - Copper Spray-A-Gasket®
Gasket sealants for use in dressing/sealing pre-formed gaskets



PERMATEX® RTV SILICONE ADHESIVE SEALANTS

59103 CLEAR - 80mL Carded Tube
59107 CLEAR - 205g Power Can
59113 CLEAR - 300mL Cartridge
59203 BLACK - 80mL Carded Tube
59213 BLACK - 300mL Cartridge
Automotive grade, all-purpose RTV silicone adhesive sealants. Use for sealing, bonding, insulating and caulking.



PERMATEX® 5 MINUTE CLEAR EPOXY

84111 - 25mL Carded Syringe
84114 - 14mL Carded Syringe

PERMATEX® 1 MINUTE CLEAR EPOXY

84162 - 25mL Carded Syringe
Easy to use 2-part dispensing syringe. Multi-purpose adhesive. Can be drilled, machined and painted. Clear appearance.



PERMATEX® PLASTIC WELDER™

84125 - CREAM- 25mL Carded Syringe
84126 - BLACK - 25mL Carded Syringe
Forms a tough durable bond to hard and semi-flexible plastics, aluminum, fiberglass and more. Structural adhesive designed for general purpose bonding including automotive trim, bumpers, and clips.



PERMATEX® LIQUID ELECTRICAL TAPE

85121
• Seals electrical connections
• Applies as a liquid, then cures to a flexible, vinyl polymer
• Allows complete sealing to keep out air, dirt and moisture



PERMATEX® ULTRA BOND

49502 - 2g Carded Tube
49512 - 28g Carded Bottle
30030 - 2g GEL Carded Tube
Automotive grade cyanoacrylate super glue. High performance super glue provides a stronger, faster acting and longer lasting bond.



ULTRA COPPER® HIGH TEMPERATURE GASKET

59703 - 80mL Carded Tube
59713 - 300mL Cartridge
Designed for high performance parts or where operating temperatures are higher.

ULTRA BLACK® GASKET MAKER

59803 - 80mL Carded Tube
59813 - 300mL Cartridge
Superior adhesion to oily surfaces with long term durability. Remains flexible.

ULTRA GREY® GASKET MAKER

59903 - 80mL Carded Tube
59913 - 300mL Cartridge
Performs under higher torque loads associated with engines having closely spaced bolt patterns.



PERMATEX® COLD WELD EPOXY ADHESIVE

14600 - 2x28g Carded Tubes
84119 - 25mL Carded Syringe
84319 - 56g Carded Stick
Fast setting, 2-part adhesive and filler used to repair broken metal parts. Forms a permanent bond and can be drilled, sanded, filed and painted.



PERMATEX HEAVY DUTY SPRAY ADHESIVE

27829 - 474g Aerosol
High-strength spray adhesive designed for repairing interior parts that have become detached or loosened. Resistant to extreme weather conditions. Water-resistant. Dries clear for neat appearance. High temperature formula



T-HANDLE TIRE REPAIR KIT

24011
1 x T-handle reamer tool
1 x T-handle plugger tool
1 x 12mL rubber cement
5 x heavy-duty black tire strings, 7-ply



TIRE REPAIR PLUGS 5-PACK

20233

TIRE PLUG RUBBER CEMENT

24041



PERMATEX® SILVER ANTI-SEIZE

76763 - 113g Can
76765 - 241g Aerosol
76767 - 454g Can
A highly refined blend of aluminum, copper and graphite lubricants. Prevents galling, corrosion and seizing due to weathering or chemicals. Temperature range: -60°F to 1600°F (-51°C to 871°C).



PERMATEX® COPPER ANTI-SEIZE

09127 - 227g Brush-Top Can
09124 - 454g Brush-Top Can
Prevents seizing, corrosion and galling where high temperatures exist. Contains micro-fine copper flakes and is fortified with rust and corrosion inhibitors. Temperature range: -30°F to 1800°F (-34°C to 982°C).



PERMATEX® NICKEL ANTI-SEIZE

77124 - 227g Brush-Top Can
77164 - 454g Brush-Top Can
Protects metal parts from seizing and galling at temperatures up to 2400°F (1316°C). Recommended for extreme pressure and temperature conditions, and for use with stainless steel, titanium and nickel alloys.



PERMATEX® PURPLE CERAMIC BRAKE PARTS LUBRICANT

24126 - 236mL Can
Synthetic formula brake parts lubricant. Blended with ceramic solids to maintain extreme temperature lubrication from -50°F to 3000°F (-46°C to 1649°C). Will not wash out. For metal-to-metal contact only.



PERMATEX® GREEN SILICONE BRAKE PARTS LUBRICANT

24120 - 80mL Tube
24121 - 236mL Can
Silicone formula brake parts lubricant. Formulated to lubricate caliper pins, sleeves, clips, slides and other brake parts. Will not cause rubber components to swell. Temperature range: -50°F to 550°F (-46°C to 288°C).



PERMATEX® ORANGE SILICONE CERAMIC BRAKE PARTS LUBRICANT

24127 - 28mL Carded Tube
24122 - 236mL Can
Silicone formula brake parts lubricant. Blended with ceramic solids to maintain extreme temperature lubrication from -50°F to 3000°F (-46°C to 1649°C). Will not cause rubber components to swell. Meets JIS K 2228 with EPDM and Nitrile rubbers.



PERMATEX® DISC BRAKE QUIET

24155 - 255g Aerosol
31868 - 118ml Bottle
Stops brake squeal by dampening vibration at caliper/brake pad interface. Provides tighter fit and allows for easier disassembly. Protects against corrosion.



PERMATEX® DIELECTRIC TUNE-UP GREASE

22066 - 28g Carded Tube
22064 - 85g Carded Tube
22065 - 85g Power Can
Necessary for an effective tune-up on high energy ignition services. Prevents voltage leak around any electrical connection.



GUMOUT® BATTERY PROTECTOR & SEALER

29224 - 141g Aerosol
Seals and coats battery terminals eliminating the formation of acid salt corrosion. Prevents terminal corrosion and battery drain.



PERMATEX® BATTERY CLEANER SA-8

SA-8 - 163g Aerosol
Spray on and wash corrosion off. Works in just three minutes. Penetrates and removes corrosion, dirt and grime instantly.



FAST ORANGE® PUMICE LOTION HAND CLEANER

25102 - 221mL bottle
25117 - 443mL bottle
25217 - 1.89L bottle
25219 - 3.78L bottle
Biodegradable, petroleum solvent-free hand cleaner. Fresh-smelling orange citrus. Fortified with aloe, lanolin, glycerin and other skin conditioners to soothe raw, rough hands.



FAST ORANGE® SMOOTH LOTION HAND CLEANER

23102 - 221mL bottle
23117 - 443mL bottle
23217 - 1.89L bottle
23218 - 3.78L bottle
Biodegradable, petroleum solvent-free hand cleaner. Fresh-smelling orange citrus. Fortified with aloe, lanolin, glycerin and other skin conditioners to soothe raw, rough hands.



FAST ORANGE® XTREME PUMICE HAND CLEANER

25619 - CHERRY - 3.78L bottle
25616 - ORANGE - 443ml Bottle
25618 - ORANGE - 3.78L Jug
Professional strength hand cleaner tackles the toughest grease and grime.



FAST ORANGE® HAND CLEANER WIPES

25050 - 25CT Pouch
25051 - 72CT Bucket
Removes the toughest grease, tar, grime, ink, paints, sealants and adhesives. Pre-moistened, dual textured wipes. Textured one-side for heavy-duty cleaning, smooth on the other side for general purpose cleaning.



SPRAY NINE® HEAVY-DUTY CLEANER/DISINFECTANT

C26822 - 650mL Bottle
C26832 - 946mL Bottle
C26804 - 4L Jug
C26820 - 20L Pail
C26845 - 208L Drum
Cleans the toughest grease, grime, stains and bacteria where others fail.



GREZ-OFF® PARTS CLEANER

C12532 - 946mL Bottle
C12501 - 3.78L Jug
C12520 - 20L Pail
C12545 - 208L Drum
Powerful water-based parts cleaner. Use undiluted for spray-and-wipe cleaning or use in Parts Washer systems and Immersion Tanks.



SPRAY NINE® GLASS & STAINLESS STEEL CLEANER

C23319 - 600g Aerosol
Cleans dirt, dust, fingerprints, smudges and light grease from glass, stainless steel and metal surfaces.



SPRAY NINE® GARAGE FLOOR CLEANER

C11525 - 11.3kg Pail
Powerful concrete cleaner formulated to cut through stains and heavy deposits, lifting away grease, grime and dirt. Ideal for garages, work shops, driveways and walkways.



RAINX® ORIGINAL GLASS TREATMENT

36231 - 207mL bottle
36232 - 473mL bottle
Dramatically improves wet weather driving visibility. Apply to exterior glass and raindrops will fly off the windshield while driving. Helps improve visibility by repelling rain, sleet and snow.



BLACK MAGIC® TIRE SHINE AND FOAM CLEANER

36081 - Tire Shine - 425g aerosol
36201 - Tire Foam #1 - 510g aerosol
36202 - Tire Foam #2 - 510g aerosol
Tire Foam cleans and shines in one step. Just spray on and walk away. Tire Wet® leaves a streak-free high gloss shine.





COOLANT DAM Model T-1000

Simple tool that holds coolant inside the engine when other components are removed for repair or replacement.



BENEFITS

- Creates a vacuum, holding coolant inside the engine without hand pumping or running the engine
- Quickly converts the unit from vacuum to a pressure tester
- No need to drain the block for simple repairs
- Coolant Filling

WHEN TO USE

- Changing Heater Hoses
- Changing Fan Sensors
- Changing Temperature Sensors
- Installing Shut-off Valves for Fuel Warmers & Separators
- Replacing Cab Heater Cores
- Replacing Heater Control Valves

TANK CIRCULATION HEATERS

Provide dependable pre-heating for engine starts in all temperatures by circulating warmed coolant throughout the engine.

Applications:

Diesel & Gas Gensets, Compressors, & Agriculture



PART NO.	VOLTS	WATTS	AMPS	INLET/OUTLET	CORD LENGTH	TANK SIZE	PLUG TYPE	UL LISTED	CSA
Regulating Thermostat - On 60°F (16°C) / Off 80°F (27°C)									
3305028	120	750	6.3	5/8"	5' (1.5m)	Small	A	No	Yes
3305040	120	1000	8.3	5/8"	5' (1.5m)	Small	A	No	Yes
3309526	120	1500	12.5	3/4"	5' (1.5m)	Large	A	No	Yes
3305004	120	2250	18.8	3/4"	7' (2m)	Large	C	No	Yes

HYDRALINERS

Pre heat the hydraulic system with or without the engine running by utilizing the engine coolant.



PART NO.	TUBE IMMERSION LENGTH	TOTAL LENGTH	SURFACE AREA NOMINAL	BTU/HR NOMINAL (1)	TYPICAL APPLICATION (AMBIENT AIR TEMP) TO -20 F / -29 C (2)	TYPICAL APPLICATION (AMBIENT AIR TEMP) TO -40 F / -40 C (2)
H-4000-16	15"	18"	250 in2	Water 10,000	Up to 50 US gallons	Up to 19 US gallons
H-4000-16-STOR	381 mm	457 mm	16 dm2	Oil 5,000	190 Liters	72 Liters
H-4000-20	19"	22"	315 in2	Water 13,000	Up to 63 US gallons	Up to 25 US gallons
H-4000-20-STOR	483 mm	559 mm	20 dm2	Oil 6,500	239 Liters	90 Liters
H-4000-24	23"	26"	385 in2	Water 16,000	Up to 77 US gallons	Up to 30 US gallons
H-4000-24-STOR	584 mm	660 mm	24 dm2	Oil 8,000	292 Liters	113 Liters

Tube immersion lengths are available from 7" to 23".

View the complete line in the Arctic Fox catalog at www.phillipsandtemro.com.

IN-LINE FUEL HEATERS

Coolant based heat exchanger that prevents fuel gelling and maintains uptime, easily retro-fitted and optional 120V electric preheat available.



PART NO.	COOLANT PORT	FUEL PORT	TUBE LENGTH	TUBE O.D.	TOTAL LENGTH	SURFACE AREA	PRE HEAT OPTION
I-909BT-B100	1/2" NPT	1/2" NPT	9.75"/248mm	2.0"/51mm	15.5"/394mm	100"2/645.2cm2	No
I-909BTEH-B100	1/2" NPT	1/2" NPT	9.75"/248mm	2.0"/51mm	18.5"/470mm	100"2/645.2cm2	120 VAC
I-1518BT-B100	1/2" NPT	1" NPT	18.0"/457mm	2.375"/60mm	25.5"/648mm	320"2/2064.5cm2	No

View the complete line of fuel and fluid heaters in the Arctic Fox catalog at www.phillipsandtemro.com.

CIRCULATION HEATERS SERIES 41



Applications:

Industrial, Agriculture, and Off-Road

Features:

- Thermostatically controlled: Opens at 190°F (88°C), closes at 151°F (66°C)
- Vertical installation only. Dimensions: 2-3/4" x 8-1/2" (7cm x 21.6cm)
- Heavy Duty 3-wire 5 ft. (1.52m) attached cord, 2000W heater has 22" attached cord
- Rugged cast aluminum construction is corrosion and impact resistant



PART NO.	WATTS	VOLTS	AMPS	PLUG CONFIGURATION	INLET/OUTLET SIZE	REPLACEMENT ELEMENT	THERMOSTAT
2204010	750	120	16	A	5/8"	2204061	2204266
2204029	1000	120	12	A	5/8"	2204088	2204266
2204037	1500	120	8	A	5/8"	2204096	2204266
3300091	2000	120	6	C	5/8"	3300093	2204266

View the complete line of circulation heaters in the Zerostart catalog at www.phillipsandtemro.com.

LIT PLUGS



Applications:

Automotive industry and Light Truck

Features:

- LED Light is visible from 50' to monitor from a distance
- Visual cue that indicates power to the heater
- Offered on popular aftermarket block and cartridge heater kits
- Cord may be purchased separately and added to existing heater
- CSA approved



Model year application available in the Zerostart catalog at www.phillipsandtemro.com.

Replacement Cords

LIT CORD	STD CORD	CORD LENGTH
3600116	3600006	5" (1.52m)
3600117	3600005	5" (1.52m)
3600118	3600001	5" (1.52m)
3600119	3600082	5" (1.52m)
3600119	3600083	5" (1.52m)

CARTRIDGE HEATERS

Fits Dodge, Jeep and Chrysler Applications



Part No. 3100128
Replacement Cord: 3600120



Part No. 3100131
Replacement Cord: 3600121

Model year application available in the Zerostart catalog at www.phillipsandtemro.com.



FLEXIBLE PAD HEATERS

PART NO.	WATTS	VOLTS	AMPS	PAD SIZE	OIL PAN CAPACITY	HYDRAULIC FLUID	APPLICATION	
3400031	125	120	1.0	3" round	3 - 6 U.S. Qts (2.9 - 5.7 L)	n/a	Small to Mid-Size Cars & Sedans. Examples: Kia, Honda, Hyundai	
3400030	50	120	0.4	3.5" x 1.25"	1 - 3 U.S. Qts (1.0 - 1.9 L)	n/a	Transmissions, Home Generators, ATV, Snowmobiles, Gear Boxes & Small Engines	
3400032	125	120	1.0	6" x 1.5"	3 - 6 U.S. Qts (2.9 - 5.7 L)	n/a	& Automatic Transmissions. Examples: Toyota 4Runner & European Cars	
3400033	250	120	2.1	3.75" x 4.25"	5 - 13 U.S. Qts (4.7 - 12.3 L)	10 to 30 Gallons	Most 6 Cylinder & Small Block V8 Engines. Marine Applications	
3400034	500	120	4.2	5" x 7"	13 - 27 U.S. Qts (12.3 - 25.5 L)	20 to 50 Gallons	Mid-Size Trucks, SUVs & Medium to Heavy Duty Commercial Trucks	
3400035	1000	120	8.3	6" x 10.75"	26 - 48 U.S. Qts (24.6 - 45.4 L)	50 to 100 Gallons	Mid-Size Trucks, SUVs & Medium to Heavy Duty Commercial Trucks	
3400036	60	120	0.5	5.5" x 8.5"	BATTERY WARMER (non-stick pad)	n/a	All Cars & Trucks. Most Batteries	
3400038	180	120	1.5	13" x 20.5"	BATTERY WARMER (non-stick pad)	n/a	Large Battery Pad Warmer Fits under 3-4 Group 31 Batteries	



HEAT MAGNET®

- Part No. 3400017
- 200 Watt - 120 Volt AC
 - Built-in thermostat maintains optimum temperature—will not exceed 250°F (121°C)
 - Dimensions - 4-3/8" (11cm) (L) x 2-1/2" (6.3cm) (W) x 3" (7.5cm) (H) (including handle)



BLANKET STYLE BATTERY HEATERS

- Part No. 3400017
- 120 Volt AC operation
 - Blanket style heater warms battery core to 60° -70° above ambient temperature for quick starts
 - Thinsulate™ thermal insulation helps maintain battery temperature in warm or cold weather
 - All battery blanket heaters are 5". (12.7cm) tall, 1/2". (1.1cm) thick

PART NO.	THERMOSTAT	LENGTH	WATTAGE	CORD LENGTH	FITS BATTERIES
2800055	--	28"	50	30"	Group 22NF, 26, 26R, 51, 51R, 70
2800073	60°-80°F (16-27°C)	34"	50	72"	Group 22NF, 26, 26R, 51, 51R, 70
2800063	--	36"	80	30"	Group 24, 24F, 24H, 24R, 24T, 25, 27, 27F, 27H, 31, 34, 34R, 35, 74, 38
2800074	60°-80°F (16-27°C)	42"	65	72"	Group 24, 24F, 24H, 24R, 24T, 25, 27, 27F, 27H, 31, 34, 34R, 35, 74, 38
2800075	60°-80°F (16-27°C)	50"	80	72"	Group 30H, 31
2800076	60°-80°F (16-27°C)	66"	130	72"	Group 4D, 6D
2800071	--	72"	160	30"	Group 31, Series - Parrellel Systems
2800077	60°-80°F (16-27°C)	74"	160	72"	Group 8D

Thinsulate™ is a registered trademark of 3M corporation.



INTERIOR CAR HEATER

- Part No. 2600900
- Ideal for use in passenger, light-duty, and recreational vehicles
 - 900 Watts - 120 Volt AC - 3,000 BTU
 - Mounts on floor or under dash. Mounting bracket included
 - Compact size: 7" (17.6 cm) (L) x 4.5" (11.3 cm) (W) x 2.75" (7 cm) (H)
 - Cord length: 7.5 ft. (2.3 m)
 - Includes a blower fan



BLK & RED TEST CLIPS
839BP



1 NEG & 1 POS STUD/POST
879FBP



6-1/0 UNI BATTERY TERM
880-31



1-4/0 HD UNI BATTERY TERM
880HDBP



MARINE BATTERY TERMINAL
899PBP - POS 3/8"
898NBP - NEG 5/16"



4GA TUB LUG
4239PR - 3/8"
4238PR - 5/16"



ANS / AMI HIGH AMP FUSE HOLDER
9710-11



STANDARD BLADE FUSES
965BP - 15A BLUE
966BP - 20A YELLOW
968BP - 30A GREEN



STANDARD BLADE ADDACIRCUIT
982-11



BATTERY TERMINAL FUSE 58V
9875-11 - 30A
9876-11 - 40A
9877-11 - 50A



LOW PROFILE BLADE FUSES
9945-14 - 10A RED
9946-14 - 15A BLUE
9947-14 - 20A YELLOW



GENERAL PURPOSE RELAY
925-11
40/30A 12V DC



WEATHER RESISTANT SEALED RELAY
927-11
40/30A 12V DC



PLUG-IN C/BREAKER
3786BP - 15A
3787BP - 20A
3788BP - 30A



CIRCUIT BREAKER
3794-11 - 30A
3795-11 - 40A
3796-11 - 50A



CABLE TIES 50LB. BLACK
7066-OC - 7.5"
7067-OC - 11"
7068-OC - 14"



15" HEAVY DUTY CABLE TIES
7068HD-OC - UV BLACK
7068HD-C - NATURAL



LP ADDACIRCUIT
9950-11



MICRO 2 FUSES
10210-14 - 10A RED
10215-14 - 15A BLUE
10220-14 - 20A YELLOW



MICRO 2 ADDACIRCUIT
10200-11
16GA 10A



MICRO 3 FUSES
10305-14 - 5A TAN
10310-14 - 10A RED
10315-14 - 15A BLUE



MICRO 3 ADDACIRCUIT
10300-11
16GA 15A



PERFORMANCE CABLE TIES

7295-36 - 7.5"
7296-36 - 11"
7297-36 - 14"
7298-36 - 14" HD
Rated TO -40°C
Increased UV protection



PERFORMANCE SELF FUSING TAPE

3469-0-31
3469-5-31
No adhesive, tape fuses upon itself.



BUTT CONNECTORS VINYL INSULATED
1700CS - RED, 22-18 GA
1800CP - BLUE, 16-14 GA
1900CP - YELLOW, 12-10 GA



HEAT SHRINK BUTT CONNECTORS
5800CS - RED, 22-18 GA
5900CS - BLUE, 16-14 GA
6000CS - YELLOW, 12-10 GA



RING INSULATED CONNECTORS #10 - VINYL INSULATED
1705CS - RED, 22-18 GA
1805CS - BLUE, 16-14 GA
1905CP - YELLOW, 12-10 GA



2W DEUTSCH DT HOUSING/LOCK
7990-11 - RECEPTACLE
7991-11 - PLUG



MIN BLADE FUSES
110BP - 10A RED
115BP - 15A BLUE
120BP - 20A YELLOW



WATER RESISTANT IN-LINE MIN FUSE HOLDER
131-11
16GA 15A



DEUTSCH DT SOLID CONNECTORS
16-14GA
7964-14 - SOCKET
7965-14 - PIN



MAX BLADE FUSES
220-11 - 20A YELLOW
230-11 - 30A GREEN
240-11 - 40A ORANGE



IN-LINE MAX FUSE HOLDER
206-11
8GA 60A



FEMALE MINI FUSE LINK -LOW PROFILE
9586-11 - 30A PINK
9587-11 - 40A GREEN



ANM/AMG HIGH AMP FUSES
9700-11 - 80A
9701-11 - 100A
9702-11 - 125A



ANM/AMG FUSE HOLDER
9711-31



ANL HIGH AMP FUSES
9812-11 - 150A
9815-11 - 300A
9816-11 - 325A



ANL HIGH AMP FUSE HOLDER
9800-31



ANS HIGH AMP FUSES
9716-11 - 60A
9721-11 - 80A
9723-11 - 125A



7 PIN JUNCTION BOX
990E



VINYL GROMMET
6121BP - 25/64"
6124BP - 3/4"
6125BP - 1/2"



RUBBER INS CLAMP 1/4" MNT HOLE
7314PK - 1/4"
7315PK - 3/8"
7316PK - 1/2"



MICRO FUSE LINK
10420-11 - 20A BLUE
10425-11 - 25A WHITE
10430-11 - 30A PINK



SLOTTED MICRO FUSE LINKS
10450-11 - 15A GREY
10451-11 - 20A BLUE
10452-11 - 25A WHITE



BLACK CONVOLUTED SPLIT LOOM
5140PK - 1/4"
5141PK - 3/8"
5142PK - 1/2"



WRAPABLE SPLIT TUBING
8423-0-44 - 1/8"
8424-0-44 - 1/4"
8426-0-44 - 1/2"



PLUG & CONNECTOR 15A, 125V
8956-11 - FEMALE
8957-11 - MALE



MAGMAFLO 4:1 HEAT SHRINK TUBING
8361-43 - 6mm
8362-43 - 8mm
8363-43 - 12mm
8364-43 - 18mm



2:1 FABRIC HEAT SHRINK TUBING
8391-34 - 3/4"
8393-34 - 1 1/2"
8394-34 - 2"
8396-34 - 2.75"



ADHESIVE LINED DUAL WALL 3:1 HEAT SHRINK TUBE - BLACK
8330-A - 3/16"
8331-A - 1/4"
8332-A - 3/8"
8333-A - 1/2"
8335-43 - 1"



VINYL DIPPED SWITCHES
9427-11 - SPST - 12V 25A
9428-11 - SPDT - 25A 12V / 12A 24V
9429-11 - MOM SPDT - 25A 12V / 12A 24V



METAL BAT HANDLE SWITCH
SPST
9432-11 - 12V 20A



picocanada.com



ca.prestone.com



METAL BAT SWITCH
9435BP
12V 25A



HEAVY DUTY TOGGLE SWITCH
9436BP
6-24V @ 50A



SOLENOID SWITCH
9497-11
12V 85A



PVC TAPE 66'
3466-0E - BLACK
-10 TO 80°C
(14 TO 176°F)



PTFE THREAD SEAL TAPE
3467E
RATED -190°C TO 280°C
40' ROLL x 1/2" WIDE



CAMÉLÉON DIE
414-31 - A6 DIE 10-12 GA
420-31 - CM DIE 10-20 GA
421-31 - B1 DIE 4-6 GA



CAMÉLÉON 8.7" & STRIP TOOL KIT W/A, A1, B DIES
410-91



66' COLD WEATHER TAPE
3468-31
-18 TO 105°C
(0 TO 220°F)



NO CLEAN LIQUID FLUX 2OZ
6156-11



SOLDER PELLET
6157-12 - 6GA GREY
6161-12 - 2GA GREEN
6164-12 - 2/0GA ORANGE



PRO-TORCH™
8247-31
2400°F (1300°C)



4 IN 1 BUTANE TORCH
8257-31
Use as a torch, soldering iron, hot air blower or shrink tube tool.



16G 12" LEAD TRAILER CABLES
1871BP - 2 Pins
1873BP - 4 Pins



7" WIRE CUTTER
653-31
28-1 GA



EXTRA HD CRIMP TOOL
365-11
22-10 AWG



4 IN 1 MINI CRIMP TOOL
370-11
12-20 AWG



WIRE STRIP TOOL
455-11
26-10 AWG



3 CONDUCTOR SERVICE CORD 100'
8905C - 14/3 GA
Black - Green - White



6POLE 35A
9475-11 - Plug-No Spring
9476-11 - Plug-with Spring
9477-11 - Socket Car End



7W RV BLADE TO 4W FLAT
7717-11



#9482-BP #9483-BP #9490-31
7POLE RV
9482BP - TRAILER PLUG
9483BP - TRAILER SOCKET
9490-31 - SOCKET BRACKET

WELDING CABLE 100' RATED -50°C TO 105°C 600V
8059-C
2/0 AWG



14GA PRIMARY WIRE
8114-5-MS - RED
8114-0-MS - BLACK



2 CONDUCTOR AUTOMOTIVE GREY JACKETED WIRE 100'
8147C - 16/2 GA
8148C - 14/2 GA



GXL WIRE
8210-0-29 - 10GA BLACK
8212-1-29 - 12GA BLUE
8214-2-29 - 14GA BROWN



HOOK-UP WIRE
8814-5-29 14GA RED
8816-6-29 16GA WHITE
8818-7-29 18GA YELLOW

PRESTONE MAX ANTIFREEZE + COOLANT
ASIAN VEHICLES RED FLUID



50/50
#78007

- ✓INDUSTRY-LEADING PROTECTION From Engine-Damaging Rust & Corrosion
- ✓15 YEARS/560,000 KM FLUID LIFE

PRESTONE MAX ANTIFREEZE + COOLANT
ASIAN VEHICLES GREEN FLUID



50/50
#78122

- ✓INDUSTRY-LEADING PROTECTION From Engine-Damaging Rust & Corrosion
- ✓15 YEARS/560,000 KM FLUID LIFE

PRESTONE MAX ANTIFREEZE + COOLANT
ASIAN VEHICLES BLUE FLUID



50/50
#78015

- ✓INDUSTRY-LEADING PROTECTION From Engine-Damaging Rust & Corrosion
- ✓15 YEARS/560,000 KM FLUID LIFE

PRESTONE ANTIFREEZE + COOLANT
ALL VEHICLES



CONCENTRATE
#71621

- ✓INSTANTLY PROTECTS AGAINST RUST & CORROSION
- ✓10 YEARS/500,000 KM FLUID LIFE

PRESTONE MAX ANTIFREEZE + COOLANT
EUROPEAN VEHICLES VIOLET FLUID



50/50
#78114

- ✓INDUSTRY-LEADING PROTECTION From Engine-Damaging Rust & Corrosion
- ✓5 YEARS/250,000 KM FLUID LIFE

PRESTONE MAX ANTIFREEZE + COOLANT
EUROPEAN VEHICLES BLUE FLUID



50/50
#78023

- ✓INDUSTRY-LEADING PROTECTION From Engine-Damaging Rust & Corrosion
- ✓5 YEARS/250,000 KM FLUID LIFE

PRESTONE MAX ANTIFREEZE + COOLANT
N. AMERICAN VEHICLES ORANGE FLUID



50/50
#78221

- ✓INDUSTRY-LEADING PROTECTION From Engine-Damaging Rust & Corrosion
- ✓15 YEARS/560,000 KM FLUID LIFE





ca.prestone.com

Prestone

ANTIFREEZE + COOLANT



PRESTONE POWER STEERING FLUID + STOP LEAK

- ✓85,000 KM FLUID LIFE
- ✓ANTI-WEAR PROTECTION
Increased System Life

PART#	PACK
77512	6/355 mL
77497	6/946 mL

PRESTONE SYNTHETIC POWER STEERING FLUID - N. AMERICAN, EUROPEAN & ASIAN

- ✓160,000 KM FLUID LIFE
- ✓2X ANTI-WEAR PROTECTION

AMERICAN VEHICLES	PACK
77463	6/355 mL
ASIAN VEHICLES	PACK
77471	6/355 mL
EUROPEAN VEHICLES	PACK
77489	6/355 mL

PRESTONE BRAKE FLUID - DOT 3

- ✓85,000 KM FLUID LIFE
- ✓PREVENT OVERHEATING & BRAKE FADE
With High Grade Formula

DOT 3	PACK
77405	6/355 mL
77421	6/946 mL

PRESTONE BRAKE FLUID - DOT 4

- ✓85,000 KM FLUID LIFE
- ✓PREVENT OVERHEATING & BRAKE FADE
With High Grade Formula

DOT 4	PACK
77439	6/355 mL
77447	6/946 mL



Prestone MAX

ANTIFREEZE + COOLANT



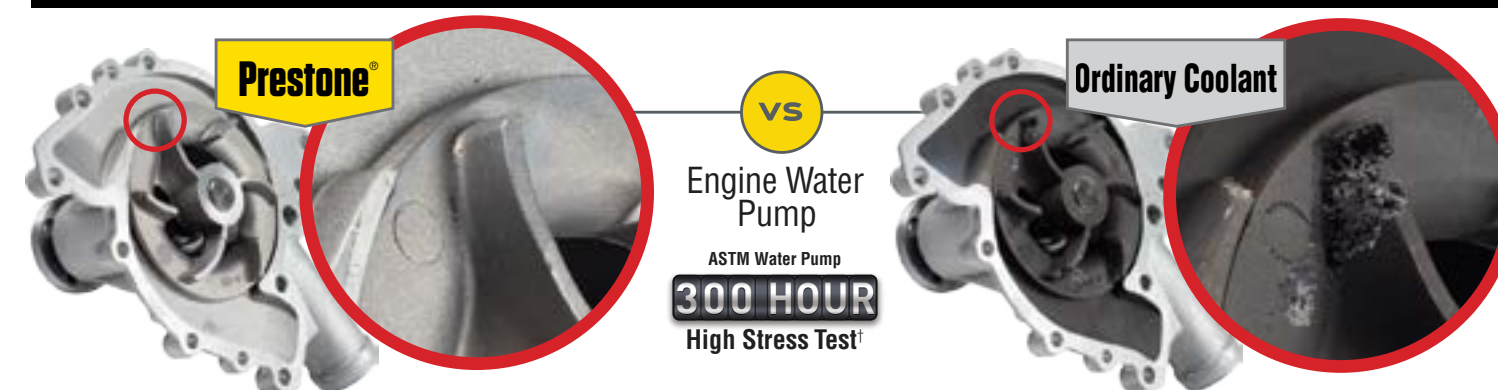
MAXIMUM ENGINE PROTECTION*

GUARANTEED FOR ALL VEHICLES

Makes, Models & Years

- ✓15 Years / 560,000 km Fluid Life**
- ✓Extreme Protection - Freeze & Boil Over
- ✓Industry-Leading Protection
From Engine-Damaging Rust & Corrosion

Industry Leading Protection From Engine-Damaging Rust & Corrosion



✓CLEAN = IMPROVED PERFORMANCE & LONGER ENGINE LIFE

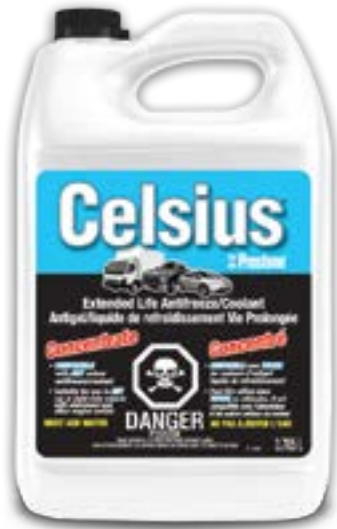
*ASTM Water Pump part tested to 300 hrs / high stress test.

✗DIRTY = COSTLY REPAIRS

*Over the total life of the coolant **Fluid guaranteed for the life of your vehicle. This product is guaranteed for up to earlier of 15 years/ 560,000 km of vehicle life under normal driving conditions when a complete cooling system flush and fill is performed, and proper cooling system maintenance is followed. Always follow vehicle owner's manual for top off requirements, change intervals and specified maintenance. Prestone.com or 1-888-269-0750 for all guarantee requirements and limitations. †Fluid guarantee and manufacturer warranty protection may not apply to hybrid or electric vehicles. Refer to vehicle manufacturer for proper coolant choice and recommended service intervals. PRESTONE® is a registered trademark of Prestone Products Corporation. All other marks are those of their respective owners.



Celsius® by Prestone®
ALL MAKES ALL MODELS
Antifreeze + Coolant



Extended Life Antifreeze

- Protects Against Rust, Grime & Corrosion
- Long-lasting inhibitors guard against extreme temperatures (+129°C to -37°C) and the effects of rust corrosion, and premature water pump failure
- Works with all Antifreeze+Coolant Colours



CONCENTRATE	PACK	UPC
11551	6/3.78 L	6 20235-11551 7
11568	205 L	6 20235-11568 5

READY TO USE	PACK	UPC
11576	6/1 gal.	6 20235-11576 0

Why Prestone® Antifreeze + Coolant



Advanced Protection

Our advanced technology, backed by a Longer Engine Life Guarantee 10-year/300,000-mile formula, protects the cooling system from buildup and corrosion, providing maximum value for your vehicle.



Protect Your Family

The inconvenience of a vehicle breaking down is bad enough, even worse if your kids are in the car. Prestone® Antifreeze+Coolant protects you from these experiences by preventing engine part failure.



Protect Your Investment

Our innovative technology prevents rust and corrosion, keeping your car running optimally and helping you avoid costly engine repairs down the road.

WASH & WAX CONCENTRATE



12022 - 20L

41205 - 4L

Description:

A super concentrated, liquid WASH & WAX formulated to quickly and effectively clean all finishes without scratching. Unique foaming action and wax lubricates surface to help prevent unwanted scratches.

PRESSURE WASHER CLEANER /DEGREASER CONCENTRATE

TOUGH ON
Grease, Grime & Stains!



28320 -20L

28316 -4L

CLEANER / DEGREASER



Uses:
Automobiles, garages, marine, RVs, ATVs, motorcycles, household

29416 -20L

26416 -4L

25416 -990ml

GLASS CLEANER

27416 -990ml

28416 -4L



For use on:

Windows, mirrors, counter tops, appliances, stainless steel, chrome, fixtures, plexi glass

ULTRASONIC SOAP CLEANING SOLUTION

15711 -4L





TRAILER HUB, BRAKE, BEARING & SEAL GUIDE

TRAILER HUB KITS

- Kits include pre-assembled bearings and seals for a complete repair.
- Fix the cause; not just the symptom. If the bearing is bad, so is the hub. So replacing both is the best long term solution.
- Trailer Hub Kits are field serviceable



PTC	DESCRIPTION	HUB	COTTER KEY	SEAL	STUDS	DUST CAP	BEARING	PTC HUB KIT REPLACES
58550	Fits 1-3/8" to 1-1/16" Spindle with 5 on 5" Bolt Pattern	1	1	PT442251	5	1	PTL68149 PTL68111 PTL44649 PTL44610	Dexter 84550BX E-Trailer AKHUB550-35-K
58555	Fits 1-3/8" to 1-1/16" Spindle with 5 on 5-1/2" Bolt Pattern	1	1	PT442251	5	1	PTL68149 PTL68111 PTL44649 PTL44610	Dexter 84555UC1 E-Trailer AKHUB555-35-K
365566	Fits 1-1/4" Taper to 1-3/4" Spindle with 6 on 5-1/2" Bolt Pattern	1	1	PT442109	6	1	PT15123 PT25580 PTL44643 PTL44610	Dexter 8-213-SUC1 Red Neck 84655 UC 1 Dexter 008-091 Bass Pro 13100
411250	Fits 1" Spindle with 4 on 4" Bolt Pattern	1	1	PT203025	4	1	PTL68149 PTL68111 PTL44649 PTL44610	Dexter 008-248 Bass Pro 13511 Red Neck 84545
581750	Fits 1-3/8" Taper to 1-1/16" Spindle with 5 on 4-1/2" Bolt Pattern	1	1	PT442251	5	1	PTL44643 PTL44610	Red Neck 348225bx Redtrailer 155b
512590	Fits 1" Spindle with 5 on 4-1/2" Bolt Pattern	1	1	PT203025	5	1	PTL44649 PTL44610	Red Neck 8-259-UCI Redtrailer 156B
511655	Fits 1-1/16" Spindle with 5 on 4-1/2" Bolt Pattern	1	1	PT203025	5	1		Shipshape 13311 Valmar 80582 Carryon 155

ELECTRIC TRAILER BRAKE ASSEMBLIES AND DRUMS

Brake Assemblies include: backing plate, shoe linings, magnets, actuating lever, adjusting screw & spring hardware

PTC	DESCRIPTION	SIDE	CAPACITY	BOLT PATTERN
331010-1	10" x 2-1/4", Electric Brake Assembly	Right	3,500 lbs	4 bolt
331010-2	10" x 2-1/4", Electric Brake Assembly	Left	3,500 lbs	4 bolt
363233-1	12" x 2", Electric Brake Assembly	Right	6-7,000 lbs	5 Bolt
363233-2	12" x 2", Electric Brake Assembly	Left	6-7,000 lbs	5 Bolt



**Note: Seals and bearings sold separately

YOUR WASTE MANAGEMENT & POLYETHYLENE FILM SOLUTION PROVIDER

INDUSTRIAL GARBAGE BAGS 2700 SERIES X-STRONG, BLACK



- Our strongest pure recycled line of black garbage bags
- UL Ecologo® Certified - UL-126 Garbage Bags

INDUSTRIAL GARBAGE BAGS 2900 SERIES



- Our eco-friendly value line of clear and coloured garbage bags
- UL Ecologo® Certified - UL-126 Garbage Bags

SUPERSAK™ RETAIL CONTRACTOR BAGS, BLACK



- Supersak™ Contractor bags are the strongest bags we manufacture
- Made from virgin and post-industrial and post-consumer recycled material

ECOPERFORMANCE® BAGS, X-STRONG, BLACK



- High quality blend of virgin and recycled resin
- Contains up to 80% post-consumer and post-industrial recycled content

Item No.	Size	Bags/case
278101	26 x 36	125
278301	30 x 38	125
278501	35 x 50	100
278701	42.5 x 48	75

Item No.	Strength	Size	Bags/case	Colour
295210	Reg	20 x 22	500	White
296400	Reg	35 x 47	200	Trans
297108	Strong	26 x 36	200	Blue
297308	Strong	30 x 38	200	Blue

Item No.	Size	Strength
38001	35 x 50	Ultra Tough

Item No.	Size	Bags/case
EP3550XSB	35 x 50	100
EP3038XSC	30 x 38	125
EP3547XSC	35 x 47	100
EP4248XSC	42 x 48	75





RISLONE BLOCK SEAL LIQUID COPPER INTAKE & RADIATOR STOP LEAK

31109
Seals larger leaks regular stop leaks won't. One step formula permanently repairs leaks in gaskets, radiators, heater cores, intake manifolds, blocks, heads and freeze plugs. Use on cars, trucks, vans, SUV's and RV's. One "1" Step Sealer contains an antifreeze compatible sodium silicate liquid glass formula, so no draining of the cooling system is required. It will not harm the cooling system when used properly. Use with all types of antifreeze including conventional green or blue (Silicate-based) and extended life red/orange or yellow (OAT / HOAT) coolant.



RISLONE BLOCK SEAL HEAD GASKET FIX

31111
The easiest solution to stop head gasket coolant leaks. No draining of the cooling system is required. This formulation contains a combination of antifreeze compatible sodium silicate sealing liquid and various size gasket sealing particles which penetrate gaps & cracks and harden to permanently stop leaks. This seals because of the extreme heat inside the combustion chamber (2760°C) that works as a catalyst to permanently harden the material to make it stronger than the actual head gasket itself. Your vehicle is a good candidate for this product if it can idle for 20 minutes without overheating or having to add coolant. Use on ALL water cooled gasoline and diesel engines. Heavy duty formula works on aluminum and cast iron heads & blocks, along with sealing all other engine cooling system leaks better than a traditional stop leak. This includes repairing head gaskets, cylinder heads, intake gaskets, cracked blocks and freeze plugs. Use with ALL types of antifreeze including conventional green or blue (Silicate-Based) and extended life red/orange or yellow (OAT/HOAT) coolant.



RISLONE HIGH MILEAGE COOLING SYSTEM REPAIR

31150
Twice the performance of other products by not only stopping cooling system leaks, but adding future protection. It is scientifically formulated to stop coolant leaks, thereby reducing antifreeze loss, while correcting other cooling system problems helping to prevent costly repairs and breakdowns. In addition, Cooling System Repair contains Xtreme Cool™ which stops overheating and reduces water temperature. Works on all 4, 6, 8, and 10 cylinder vehicles and in any gasoline, turbocharged and diesel engines. Use with ALL types and colours of antifreeze coolant and / or water. For most vehicles leaks stop instantly. For many vehicles, this is your last chance before paying an expensive repair bill or replacing the vehicle.



RISLONE LIQUID ALUMINUM RADIATOR & HEATER CORE STOP LEAK

31186
The best radiator stop leak money can buy. Scientifically formulated to permanently seal coolant leaks that are the cause of most overheating problems. Liquid Aluminum contains Xtreme Cool™ which stops overheating and reduces water temperature. Liquid Aluminum™ is part of the next generation stop leak line. It will safely and easily seal leaks in plastic, aluminum and metal (copper / steel) radiators, heater cores, gaskets and freeze plugs. Works in cars, trucks, vans, SUV's and RV's. Use with all types of coolant including yellow, orange, pink, red, blue and green silicate based & non-silicate based OAT / HOAT antifreeze and/or water. For most vehicles leaks stop instantly.



RISLONE TRANSMISSION FIX

34515
Rislone Transmission Fix is a synthetic-blend treatment for the transmission fluid, seals, metal surfaces, bands and clutch plates. Global domestic / import formulation can be used in all automatic, manual, CVT & DCT transmissions.
• Seals Leaks in All Transmissions
• Performance Additive Booster
• Anti-Wear Agents
• Cleaning Detergents



RISLONE RADIATOR STOP LEAK

31199
Rislone® Original Rhizex®Formula Cooling System Radiator Stop Leak seals internal, external and coolant-to-oil leaks. Works safely and effectively on plastic, aluminum and metal radiators, heater cores, blocks, heads, gaskets and freeze plugs. Compatible with both conventional silicate-based and extended life (OAT/HOAT) antifreeze, all types and colours. Can also be used in straight water.



RISLONE JACK OIL WITH STOP LEAK

32012
• Works in all floor and bottle jacks
• Mixes with all approved types of hydraulic jack oils
• Repairs jack leaks
• Also works with all snow plow fluids

This product was designed to seal leaks caused by wear and time. If you often need to add oil to your jack, it probably has a leak. The product revives old jacks and prevents leakage on new jacks. Non corrosive. Does not create blocking. Does not foam.



RISLONE HEAD SEAL BLOWN HEAD GASKET REPAIR

31136
Rislone Head Seal Blown Head Gasket Repair is the fastest, safest way to solve your vehicle's coolant-related head gasket issues. Your vehicle is a good candidate for this solution if it can idle for 15 minutes without overheating or having to add coolant. Use with ALL types of 50-50 mix coolant including yellow, orange, pink, red, blue and green silicate based & non-silicate based (OAT / HOAT) antifreeze, and/or water. Unlike other products, no draining or thermostat removal is required. Works with ALL gasoline and diesel engines. This also is the best additive to use in all racing applications.



RISLONE ENGINE TREATMENT

34102
The product that made Rislone famous. It used to be called "a tune-up in a bottle," and was the very reason the phrase "tune-up" was invented. No joke — this is where all that started. Fast forward to today: eating clean and healthy foods ensures that our bodies perform at their best. The cleaner we keep our system, the better it runs. This is true for our cars as well. A cleaner engine is a better-lubricated engine with less friction and wear. Our famous, award-winning Rislone Engine Treatment does just that. This product contains high quality penetrating lubrication oil, combined with protective engine additives and special cleaning agents. It's like a healthy diet for your car.



RISLONE HIGH MILEAGE ENGINE REPAIR

34110

The common element between all of the engine components is the oil. Oil is the life-blood of the engine and is pumped under pressure to all the moving parts. The two main parts needing oil for lubrication are the bearings and pistons. As the engine ages and gains more miles, the oil alone can't do the job. Internally, parts don't fit as tightly as they originally did which causes noise and loss of power. Bearings wear down, seals leak, lifters tick, blow-by passes around tired rings, and power is lost. When installed, Engine Repair helps to stop and prevent these problems and will also extend the useful life of your engine. Engine oils are generally used to reduce friction between moving parts. In addition to lubricating, motor oil must cool, provide corrosion protection and be a method of removing contaminants.



RISLONE OIL SEAL ENGINE OIL BURNING & LEAK REPAIR

34235

Your vehicle is a good candidate for this solution if it does not consume more than one liter of oil per day. We have designed this product to work in all gasoline and diesel engines including turbocharged, EcoBoost™, hybrid and even racing engines. This covers 3, 4, 5, 6, 8 and 10 cylinder engines in all cars, trucks, vans and SUV's. Our product can also be used in heavy-duty applications referencing the appropriate dosage level. This applies to a wide range of other motor applications too: tractors, boats, RV's, motorcycles (including wet clutch), ATV's, lawn equipment.



RISLONE REAR MAIN SEAL REPAIR CONCENTRATE

34240

Most rear main seal leaks are caused by a combination of normal wear in the crankshaft & seal and the drying, hardening and shrinking of the main seal. Rislone Concentrated Rear Main Seal Repair restores the seal to like new condition and also contains additives to stop leaks in severely worn seals and crankshafts. Works with ALL gasoline and diesel engines using conventional, high mileage and synthetic oil.

- Rislone - World's Most Trusted Stop Leak Brand Since 1921
- Stops ALL Oil Leaks
- Seals Timing Cover, Cam Seal, Rear Main, and Other Hard to Stop Oil Leaks

Specifically designed to seal rear main leaks, but also works better than a conventional stop leak on all other leaks. This includes the timing cover seal, cam seals, O-Rings and other gaskets.



RISLONE RING SEAL SMOKE REPAIR

34416

Stops Blue Exhaust Smoke; Reduces Oil Burning; Seals Worn Pistons & Rings; Add to Engine Oil Anytime Seeing smoke? Don't panic. Simply put your car through the Rislone Regimen to get it back to its healthy state. Our Ring Seal Smoke Repair is formulated to help stop blue exhaust smoke, reduce oil burning and prevent plug fouling caused by blow-by.

Blow-by is usually caused by gaps in internal engine parts resulting from excess wear. Rislone's Ring Seal Smoke Repair contains viscosity improvers that thicken the oil film, filling these gaps. It also provides a seal for worn pistons and rings and cushions engine parts to reduce wear and friction. In other words, it's a car lifesaver in a bottle.



RISLONE HIGH MILEAGE TRANSMISSION REPAIR

34540

Reduces rough shifting and friction, while eliminating slip, controlling temperature, and repairing shudder, chatter and whining.

- Restores Performance
- Reduces Heat, Friction & Stabilizes Fluid
- Stops Leaks, Slipping & Rough Shifting
- Adds Protection



RISLONE HIGH MILEAGE POWER STEERING REPAIR

34650

Unique dual cavity bottle contains a combination of the best performance additives to repair the most common power steering fluid related problems. For most vehicles, this is your last chance before paying an expensive repair bill or replacing the vehicle.

- Restores Performance
- Reduces Noise & Smooths Out Hard Steering
- Stops Leaks and Reconditions Rack & Pinion
- Adds Protection



RISLONE HY-PER FUEL COMPLETE FUEL SYSTEM CLEANER GAS

34700

Improves the quality of gas by increasing its cleaning ability, adding lubrication, removing contaminants, reducing spark knock, and helping to prevent the fuel from going bad. This one dual cavity bottle contains the same amount of additives equal to a bottle of regular fuel injector cleaner, upper cylinder lubricant, fuel stabilizer, dry gas, gas treatment and octane booster. Use with All: Unleaded, Oxygenated and Ethanol containing gasoline. Works with all Fuel Injected, Direct Injected, and Carbureted Engines.

- Increases power, performance, mileage and saves gas by cleaning & lubricating the complete fuel system
- Helps eliminate noisy injectors & fuel pumps, rough idle, hard starting and hesitation



RISLONE CAT COMPLETE FUEL, EXHAUST & EMISSIONS SYSTEM CLEANER

34720

CAT COMPLETE™ Fuel, Exhaust & Emissions System Cleaner has high-performing detergents and heavy duty cleaning solvents that effectively scrub and remove contaminants, soot, carbon build-up, and oily residue from the fuel injectors, combustion chambers, turbo, EGR, catalytic converters, oxygen sensors and the exhaust system. These along with other active chemical agents, react with the gases created in the combustion process to remove the remaining inorganic deposits. This process restores their function and with regular use maintains efficiency.



RISLONE HY-PER DIESEL COMPLETE FUEL SYSTEM CLEANER

34740

Improves the quality of diesel fuel by increasing its cleaning ability, adding lubrication, removing contaminants, fighting corrosion, and helping to prevent the fuel from gelling & going bad. This one dual cavity bottle contains the same amount of additives equal to a bottle of regular fuel injector cleaner, upper cylinder lubricant, fuel stabilizer, anti-gel, diesel treatment and Cetane booster. Use with All: ULSD Diesel, regular Diesel and Bio Diesel. Works with all Direct Injected, IDI, Intercooled, and Turbocharged engines.

- Increases power, performance, and mileage and saves fuel by cleaning & lubricating the complete fuel system
- Decarbonizer - Removes sticky internal deposits as well as "coking" hard deposits
- Cold Flow Improver
- Water Remover • Sulfur Substitute and Friction Modifier • Helps eliminate black smoke, fuel gelling, clogged injectors, rough idle and hard starting



RISLONE DPF CLEAN DIESEL DPF, EXHAUST & EMISSIONS SYSTEM CLEANER

34744

DPF CLEAN™ Diesel DPF, Exhaust & Emissions System Cleaner has high-performing detergents and heavy duty cleaning solvents that effectively scrub and remove contaminants, soot, carbon build-up, and oily residue from the fuel injectors, combustion chambers, turbo, EGR, catalytic converters, diesel particulate filter and the exhaust system. These along with other active chemical agents, react with the gases created in the combustion process to remove the remaining inorganic deposits. This process restores their function and with regular use maintains efficiency.



rustcheck.com



ESTABLISHED SINCE 1972
CANADA'S #1 EXPERTS
RUST CONTROL



RUST INHIBITOR
1043 - 180 g
1054 - 350 g
1044 - 4 L

- Protects new & old metals
- Deep penetrating and long lasting

COAT & PROTECT
10025 - 350 g
10024 - 4 L

- For new and used vehicles
- Prevents rust & corrosion
- Non-drying
- Resists severe weather conditions

RUST KILLER
11001 - 236 ml
11000 - 350 g

- Rust preventive coating
- Provides a primed surface for topcoats
- Apply directly over rust
- No sanding required

INNER PANEL PROTECTANT (RUST INHIBITOR)
RC 5010 - 830 ml
1045 - 18.9 L

- Penetrates into crevices
- Displaces moisture
- Prevents rust & corrosion
- Protects seams & joints

COAT & PROTECT
CP 6010 - 830 ml (Amber)
9997B - 18.9 L (Black)
10023A - 18.9 L (Amber)

- For new and used vehicles
- Prevents rust & corrosion
- Non-drying
- Resists severe weather conditions

RUST CONVERTER
11005 - 236 ml
11006 - 283 g

- Converts rust to
- A paintable primer
- Primer on all metal surfaces
- Leaves protective coating

ASPHALT UNDERCOATING
11010 - 510 g

- Protects against rust & chipping caused by stones and debris
- Repair scars and tears
- Ideal for chassis and wheel wells
- Multipurpose car/truck & recreational vehicles

RUBBERIZED ASPHALT UNDERCOAT
11011 - 550 g

- Flexible when dry to resist chipping
- Soundproof and insulates
- Ideal for trunks, floor pans, frames & under carriages

HI-BUILD STONE SHIELD UNDERCOAT
11008 - 550 g

- Formulated for professionals
- Ideal for rocker panels
- Optimum rubber content for maximum protection
- Paintable when dry
- Durable yet resilient to resist chipping

RUST COAT
10026 - 420 g

- Heavy duty rust and corrosion protection
- Lubricates and prevents seizing
- Long lasting and deep penetrating

RUST PAINT 340 g

- Outstanding Gloss Retention
- Durable Finish
- Fast Dry
- For Clean or Rusted Metal
- No Primer Required

21012 - 340g (John Deere Green)
21013 - 340g (Ford Blue)
21014 - 340g (International Red)
21015 - 340g (John Deere Yellow)
21016 - 340g (Old Cat Yellow)
21017 - 340g (New Cat Yellow)
21423 - 340g (White)
21425 - 340g (Black)
21426 - 340g (Flat Black)
21427 - 340g (Red)
21431 - 340g (Holland Yellow)
21434 - 340g (Aluminum)
21440 - 340g (Silver Grey)
21420 - 340g (Red Oxide Primer)
21421 - 340g (Grey Primer)

RUST CHECK COUNTER DISPLAY
BXRCCD

- Counter display with header
- Holds 24 cans

SALT OFF WASH SALT & BRINE NEUTRALIZER
110021 - 650 ml (R. T. U.)
110022 - 2 L
110023 - 3.78 L

- Neutralizes road salt and brine from vehicles, trucks, RV's, and equipment without harming painted or finished surfaces
- Concentrated formula can be diluted for many other uses

ENVIRO RUST WASH SAFE AND EASY RUST REMOVER AVAILABLE IN LIQUID & GEL
11004 - 1 L (Liquid)
11012 - 3.78 L (Liquid)
10013 - 1 L (Gel)
10014 - 3.78 L (Gel)

- Safe and Easy to Use
- Non Corrosive
- No VOC's

PROFESSIONAL ANTI-CORROSION GUN KIT
RC460-HD

- Gun Kit with
- 1L Container
 - 45° Hook Wand
 - 90° Hook Wand
 - 360° Flex Wand
 - Round and Flat Spray Nozzle



TIME TO UPGRADE BASIC HALOGEN ▶ LED HEADLIGHTS

SYLVANIA LED HEADLIGHTS

Direct LED replacements* for existing halogen bulbs. No filament to break. No glass. Just pure white light to enhance nighttime driving experience.

ZEVO® LED HEADLIGHTS

LED replacement bulbs* for halogen low beams and fog lights. 6000K cool white light. Advanced heat sink design for maximum performance and life.



2 YEAR WARRANTY

3 to 5 YEAR WARRANTY



- SYLVANIA LED**
- Direct Replacement for incandescent bulbs
 - Outlasts incandescent bulbs
 - Low power consumption



- ZEVO® LED SUPER BRIGHT**
- LIFETIME WARRANTY**
 - Direct Replacement for incandescent bulbs
 - Super bright
 - Superior quality

*May not fit all vehicles. Heatsink requires 25mm of extra clearance. Your vehicle may require an adapter and/or anti-flicker harness. Warranty: See www.sylvania-automotive.com/autoinfo or packaging for details



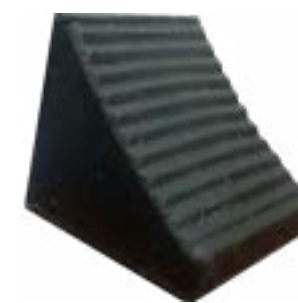


Triple C Rubber and Plastics

triplecmudflaps.com



PYRAMID WHEEL CHOCK
671-1047
6 x 10 x 8



CONTOUR WHEEL CHOCK WITH HOOK
671-1048
8 x 7 x 10"



WHEEL CHOCK WITH SAFETY HANDLE
671-1050
8 x 10 x 7.5"



HEAVY DUTY TRIPLE HEADER MUD FLAP
671-4093
24 x 24 / 27 / 30"
Stock one mud flap, cuts down to 2 other sizes



MUD FLAPS
671-4580
24 x 18"

671-4590
24 x 24"



CHEVRON MUD FLAPS
671-4583
24 x 30"

671-4585
24 x 36"

671-4588
24 x 24"

Fits truck bodies, tow trucks, HD trucks & trailers

PERSONALIZED MUDFLAPS WITH YOUR NAME AND LOGO!

Advertise Your Company!

Your company name and logo!



MUD FLAPS
671-8156-01
9 x 16"

Fits large cars, Pickup trucks, SUVs, Jeeps, and Vans.



TRIPLE HEADER MUD FLAP
671-8093-01
24 x 24 / 27 / 30"

Your company name and logo!

SilverStar® ULTRA

FARTHEST Downroad and Whiter Light*

- Whiter light*
- Most light downroad*
- More sideroad visibility*
- For ULTRA night vision
- Does not increase glare

SWITCH TODAY. SEE BETTER TONIGHT.



SilverStar® FARTHER downroad and Whiter Light*

- More light downroad*
- Improved sideroad visibility*
- Does not increase glare



XtraVision® FARTHER Downroad*

- More downroad*
- Does not increase glare



zXe® HID Attitude // Xenon Fueled

- Perfect balance of style and performance
- Cobalt blue nano coating technology delivers our whitest halogen*
- Mirror Top alloy coating





ULTRA® EPA COMPLIANT CONVERTERS (UNIVERSAL FIT)

PART #	BODY SHAPE	INLET INSIDE DIA.	OUTLET INSIDE DIA.	BODY LENGTH	OVERALL LENGTH
93268	Round	2.50"	2.50"	13.00"	17.50"
93253	Round	2.50"	2.50"	8.00"	11.50"
93203	Round	2.50"	2.50"	8.00"	12.00"
93267	Round	2.25"	2.25"	13.00"	17.50"
93202	Round	2.25"	2.25"	8.00"	12.00"
93262	Round	2.25"	2.25"	13.00"	17.50"
93266	Round	2.00"	2.00"	13.00"	17.50"
93251	Round	2.00"	2.00"	8.00"	11.50"
93261	Round	2.00"	2.00"	13.00"	17.50"
93238	Small Oval	2.50"	2.50"	10.00"	13.25"
93237	Small Oval	2.25"	2.25"	10.00"	13.25"
93236	Small Oval	2.00"	2.00"	10.00"	13.25"
93239	Small Oval	3.00"	3.00"	10.00"	13.25"
93303	Large Oval	2.50"	2.50"	13.00"	18.00"
93304	Large Oval	3.00"	3.00"	13.00"	18.00"



Ultra® Converter - 93239

EPA COMPLIANT STANDARD CONVERTERS

PART #	BODY SHAPE	INLET INSIDE DIA.	OUTLET INSIDE DIA.	BODY LENGTH	OVERALL LENGTH
15051	Round	2.00"	2.00"	8.25"	11.50"
15038	Small Oval	2.50"	2.50"	10.00"	13.25"
15037	Small Oval	2.25"	2.25"	10.00"	13.25"
15036	Small Oval	2.00"	2.00"	10.00"	13.25"
15039	Small Oval	3.00"	3.00"	10.00"	13.25"

BAND CLAMPS (ALUMINIZED)

PART #	DIAMETER	TYPE
33978	2.00"	Band, Butt Joint
33979	2.25"	Band, Butt Joint
33310	3.00"	Band, Butt Joint
33312	4.00"	Band, Butt Joint
33974	2.00"	Band, Lap Joint
33975	2.25"	Band, Lap Joint
33976	2.50"	Band, Lap Joint
33284	3.00"	Band, Lap Joint
33967	3.00"	Band, Lap Joint
33285	3.50"	Band, Lap Joint
33968	3.50"	Band, Lap Joint
33969	4.00"	Band, Lap Joint
33286	4.00"	Band, Lap Joint
33970	5.00"	Band, Lap Joint
33288	5.00"	Band, Lap Joint
36434	2.50"	Narrow Band
35227	4.00"	Narrow Band
35228	5.00"	Narrow Band

BAND CLAMPS (STAINLESS)

PART #	DIAMETER	TYPE
33240	2.50"	Band, Butt Joint
33278	3.00"	Band, Butt Joint
33282	5.00"	Band, Butt Joint
33231	2.25"	Band, Lap Joint
33226	2.50"	Band, Lap Joint
33220	2.50"	Band, Lap Joint
33272	3.00"	Band, Lap Joint
33222	3.00"	Band, Lap Joint
33273	3.50"	Band, Lap Joint
33274	4.00"	Band, Lap Joint
33224	4.00"	Band, Lap Joint
33276	5.00"	Band, Lap Joint
33225	5.00"	Band, Lap Joint
35620	2.00"	Flat Strap
35621	2.25"	Flat Strap
35979	2.50"	Flat Strap
35622	2.75"	Flat Strap
35978	3.00"	Flat Strap
35977	3.50"	Flat Strap
35976	4.00"	Flat Strap
35975	5.00"	Flat Strap
36438	2.50"	Narrow Band
36439	3.00"	Narrow Band



Band Clamp (Stainless) - 33276



U-Bolt Clamp - 35775

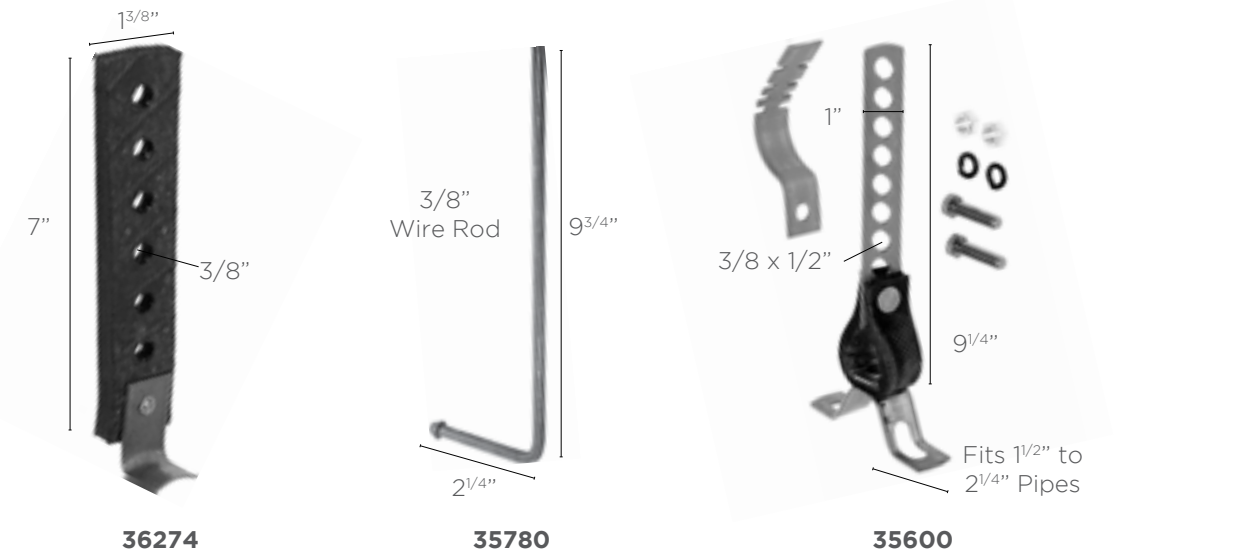
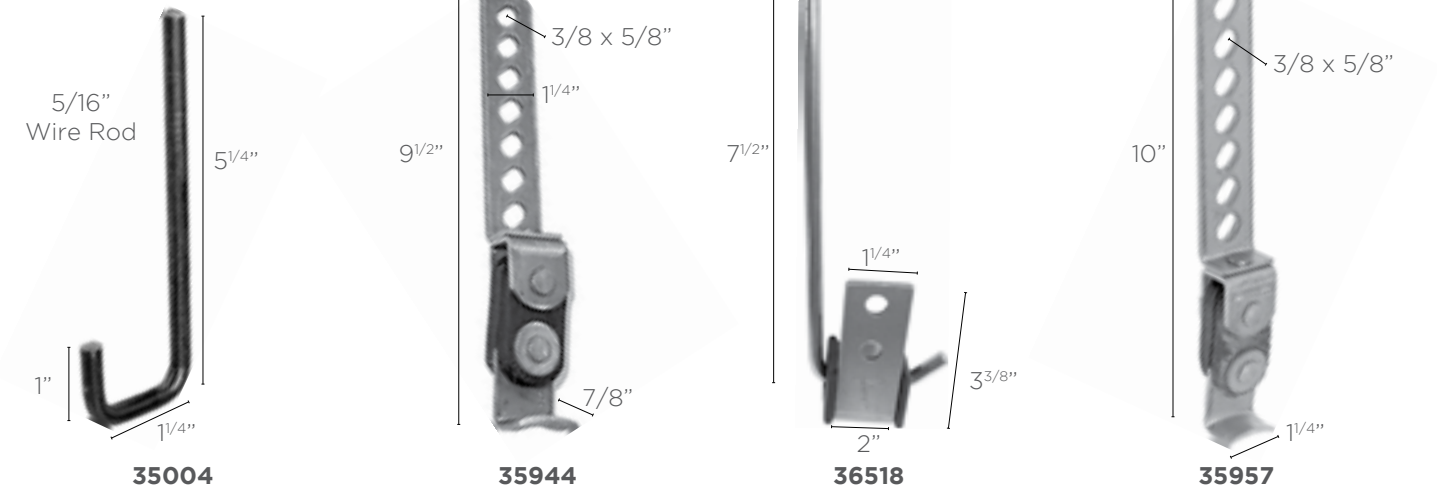
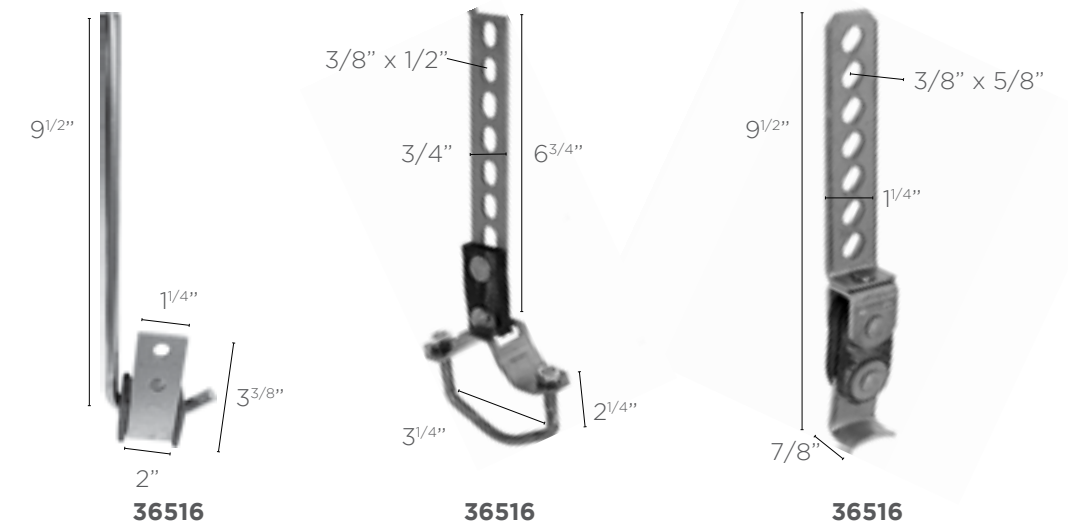
U BOLT CLAMPS

PART #	SIZE	DIAMETER
35760	3.25"	0.38"
35424	4.50"	0.38"
33304	4.00"	0.38"
35775	5.00"	0.38"
35757	5.00"	0.38"

At Walker®, we offer world-class, engine-to-tailpipe exhaust solutions for light and commercial vehicles, leading the way with an unparalleled level of compliance and precision fit.

BRACKETS & HANGERS

PART NUMBER	MINIMUM ORDER QUANTITY
36516	50
36272	1
35103	1
35004	25
35944	50
36518	50
35957	50
36274	1
35780	1
35600	50





FLEX TUBES (ALUMINIZED)

PART #	INSIDE DIA.	LENGTH
49105	3.00"	10.00'
46915	4.00"	6.00'
49070	4.00"	10.00'
46916	5.00"	6.00'
49071	5.00"	10.00'



Flex Tube (Galvanized) 40001

FLEX TUBES (GALVANIZED)

PART #	INSIDE DIA.	LENGTH
40000	1.00"	25.00'
40001	1.25"	25.00'
46971	1.50"	6.00'
40002	1.50"	25.00'
46972	1.75"	6.00'
46973	2.00"	6.00'
40005	2.00"	25.00'
46974	2.25"	6.00'
46975	2.50"	6.00'
40007	2.50"	25.00'

STRAIGHT TUBING (ALUMINIZED)

PART #	OUTSIDE DIA.	LENGTH	GAUGE
49045	1.50"	10.00'	17
49046	1.75"	10.00'	17
49069	2.00"	10.00'	13
49047	2.00"	10.00'	16
47972	2.00"	7.50'	16
49068	2.25"	10.00'	13
49048	2.25"	10.00'	14
47973	2.25"	7.50'	14
49067	2.25"	10.00'	13
49049	2.50"	10.00'	14
47974	2.50"	7.50'	14
49195	2.75"	10.00'	14
49065	3.00"	10.00'	13
49159	3.00"	10.00'	14
47963	3.00"	7.50'	14
49160	3.50"	10.00'	14
49161	4.00"	10.00'	14
49099	4.00"	10.00'	16
49162	5.00"	10.00'	14
49064	5.00"	10.00'	16



SoundFX® Muffler - 17808



Pipe Flex Connector - 52252

PIPE FLEX CONNECTORS

PART #	BUSHING	OVERALL LENGTH	INLET/OUTLET DIA.	FLEX LENGTH
41791	Without	4.13"	1.75"	4.13"
41792	Without	6.13"	1.75"	6.13"
41793	Without	8.25"	1.75"	8.25"
51015	Without	4.00"	2.00"	4.00"
51021	Without	6.00"	2.00"	6.00"
51022	Without	8.00"	2.00"	8.00"
51111	Without	4.00"	2.25"	4.00"
51110	Without	8.00"	2.25"	8.00"
51143	Without	4.00"	2.50"	4.00"
51109	Without	6.00"	2.50"	6.00"
51108	Without	8.00"	2.50"	8.00"
51138	Without	10.00"	2.50"	10.00"
51023	With	8.50"	1.75"	4.00"
41597	With	10.00"	1.75"	6.00"
41452	With	12.00"	1.75"	8.00"
51024	With	8.50"	2.00"	4.00"
51025	With	10.50"	2.00"	6.00"
52252	With	12.50"	2.00"	8.00"
42216	With	13.88"	2.00"	10.00"
51083	With	10.50"	2.25"	6.50"

SOUNDFX® MUFFLERS - UNIVERSAL - FIT

PART #	INLET INSIDE DIAMETER	OUTLET INSIDE DIAMETER	INLET OFFSET	OUTLET OFFSET	BODY HEIGHT	BODY WIDTH	BODY LENGTH	OVERALL LENGTH
18150	2.00"	2.00"	Offset	Center	4.25"	9.75"	16.00"	20.50"
17874	2.00"	2.00"	Offset	Center	4.25"	9.75"	16.00"	20.75"
17840	2.00"	2.00"	Offset	Center	4.25"	9.75"	19.00"	23.75"
17877	2.00"	2.00"	Offset	Offset	4.25"	9.75"	19.00"	23.50"
17164	2.00"	2.00"	Offset	Center	4.25"	9.75"	19.00"	23.00"
17820	2.00"	2.00"	Offset	Center	4.25"	9.75"	21.00"	26.25"
18169	2.00"	2.00"	Offset	Offset	5.00"	5.00"	18.00"	24.00"
18130	2.00"	2.00"	Offset	Offset	6.00"	6.00"	17.00"	24.50"
17854	2.00"	2.00"	Offset	Offset	6.00"	6.00"	20.00"	27.00"
18129	2.00"	2.00"	Offset	Offset	6.00"	6.00"	25.00"	32.75"
17188	2.00"	2.13"	Center	Offset	4.25"	8.81"	13.00"	17.00"
18107	2.25"	2.00"	Offset	Center	4.25"	8.81"	18.00"	22.75"
17800	2.25"	2.00"	Offset	Center	4.25"	9.75"	21.00"	26.00"
18141	2.25"	2.25"	Offset	Offset	4.25"	8.81"	18.00"	23.00"
18106	2.25"	2.25"	Offset	Center	4.25"	8.81"	22.00"	30.00"
17843	2.25"	2.25"	Offset	Offset	4.25"	9.75"	18.00"	23.00"
17808	2.25"	2.25"	Offset	Center	4.25"	9.75"	19.00"	25.75"
17827	2.25"	2.25"	Offset	Center	4.25"	9.75"	25.00"	29.50"
18156	2.25"	2.25"	Offset	Offset	6.00"	6.00"	25.00"	29.25"
18142	2.25"	2.25"	Offset	Offset	6.00"	6.00"	25.00"	31.00"
17837	2.25"	2.25"	Offset	Offset	7.00"	7.00"	24.00"	29.25"
18177	2.50"	2.00"	Offset	Center	4.25"	8.81"	18.00"	26.00"
18112	2.50"	2.25"	Offset	Center	4.25"	8.81"	18.00"	25.50"
18113	2.50"	2.25"	Offset	Center	4.25"	8.81"	18.00"	26.00"
18176	2.50"	2.25"	Offset	Offset	4.25"	8.81"	20.00"	25.00"
18109	2.50"	2.25"	Offset	Center	4.25"	8.81"	22.00"	30.00"
17853	2.50"	2.25"	Offset	Center	4.25"	9.75"	18.00"	23.00"
17824	2.50"	2.25"	Offset	Center	4.25"	9.75"	21.00"	26.50"
18132	2.50"	2.25"	Offset	Offset	6.00"	6.00"	25.00"	32.50"
17842	2.50"	2.25"	Offset	Offset	7.00"	7.00"	25.00"	32.50"
18175	2.50"	2.50"	Offset	Offset	4.25"	8.81"	18.00"	23.00"
17197	2.50"	2.50"	Offset	Center	4.25"	9.75"	28.00"	36.50"
17165	2.50"	2.50"	Center	Offset	5.50"	11.00"	27.00"	31.00"
18138	2.75"	2.75"	Offset	Offset	7.00"	9.00"	24.00"	29.00"
17195	3.00"	2.25"	Center	Offset	4.25"	9.75"	23.00"	28.75"
18133	3.00"	2.25"	Center	Offset	4.25"	9.75"	23.00"	28.00"
18160	3.00"	3.00"	Offset	Center	4.25"	9.75"	20.00"	26.50"
18180	3.00"	3.00"	Offset	Center	4.25"	9.75"	22.00"	29.00"
17809	3.00"	3.00"	Center	Offset	4.25"	9.75"	23.00"	29.00"

SOUNDFX® MUFFLERS - UNIVERSAL - FIT

PART #	INLET INSIDE DIAMETER	OUTLET INSIDE DIAMETER	INLET OFFSET	OUTLET OFFSET	BODY HEIGHT	BODY WIDTH	BODY LENGTH	OVERALL LENGTH
17871	1.50"	1.50"	Offset	Offset	6.00"	6.00"	12.00"	16.00"
18144	1.75"	1.75"	Offset	Center	3.25"	7.75"	15.00"	20.00"
18528	1.75"	1.75"	Offset	Offset	4.25"	9.75"	12.00"	14.50"
18135	1.75"	1.75"	Offset	Offset	6.00"	6.00"	17.00"	22.00"
17816	1.75"	1.75"	Offset	Offset	6.00"	6.00"	19.00"	26.75"
18102	2.00"	2.00"	Offset	Center	4.25"	8.81"	15.00"	21.50"
18157	2.00"	2.00"	Offset	Offset	4.25"	8.81"	15.00"	18.00"
17851	2.00"	2.00"	Offset	Center	4.25"	8.81"	16.00"	21.75"
18101	2.00"	2.00"	Offset	Center	4.25"	8.81"	18.00"	25.00"
17810	2.00"	2.00"	Offset	Center	4.25"	8.81"	18.00"	25.00"
18105	2.00"	2.00"	Offset	Offset	4.25"	8.81"	18.00"	24.50"



WD-40® MULTI-USE PRODUCT

WD-40® Multi -Use Product protects metal from rust and corrosion, penetrates stuck parts, displaces moisture, dissolves adhesives and lubricates just about anything.

WD-40® Multi -Use Product - Problem Solved. Job Done Right™



- 01161 85g
- 02300 226g Smart Straw
- 01111 311g
- 01110 3.785L
- 01144 311g Spray with Big Blast Spray
- 01204 18.9 Litre Pail



**WD-40® 408G MULTI-USE PRODUCT
EZ-REACH W/SMART STRAW**
02077

- Innovative 20 cm (8") Flexible Straw keeps its shape
- Gets into hard-to-reach places with a precise spray
- Flip straw up for stream and down to spray
- Safety lock prevents accidental discharge



**WD-40® 325G MULTI-USE PRODUCT
LUBRICANT W/SMART STRAW**
02272

- Never lose the straw again
- Flip straw up for stream and down to spray
- Toolkit friendly
- Safety lock prevents accidental discharge



**SPOT SHOT® INSTANT CARPET STAIN
REMOVER**

00932 - 650ml Regular

- Removes even tough OLD stains!
- Removes tough carpet stains without scrubbing!
- Works great on Red Wine, Blood, Grape Juice, Cola, Coffee and many more!



**2000 FLUSHES AUTOMATIC
TOILET BOWL CLEANER**
90801 - 100g Blue Plus Bleach

- 2000 Flushes® is the FIRST long-lasting anti-bacterial automatic toilet bowl cleaner
- Improved, concentrated tablet delivers continuous cleaning action to sanitize, clean and deodorize



**WD-40
SPECIALIST**
**WATER RESISTANT
SILICONE LUBRICANT W/
SMART STRAW**
02279

- Lubricates, waterproofs and protects
- Quick-drying with no messy residue
- Effective temperature range from -73° C to 260° C.



**WD-40
SPECIALIST**
**RUST RELEASE
PENETRANT SPRAY W/
SMART STRAW**
02278

- Fast acting
- Helps prevent rust and corrosion from re-forming and leaves behind a lubricating layer
- Penetrates deep into tight crevices, threads and seams to break the bonds that hold stuck parts together



**WD-40
SPECIALIST**
**DIRT & DUST RESISTANT
DRY LUBE PTFE SPRAY**
01209

- Quick drying PTFE formula provides superior lubrication and long-lasting corrosion protection with no oily residue.
- Resists dirt, dust and oil
 - Ideal for releasing molded parts



**WD-40
SPECIALIST**
**INDUSTRIAL STRENGTH
CLEANER AND DEGREASER**
02266

- Water-based, non-flammable, non-aerosol cleaner & degreaser with a unique bio-solvent formula engineered to be powerful yet safe for sensitive surfaces.
- Safe for use on aluminum, chrome, glass, plastic, rubber, stainless steel, granite, leather, paint, and much more.



**WD-40
SPECIALIST**
**HIGH PERFORMANCE WHITE
LITHIUM GREASE**
01180

- Ideal for metal-to-metal applications that require heavy-duty lubrication and protection against rust and corrosion.
- Won't freeze, melt or run off
- Effective in temperatures from -18° C to 149° C (0° F to 300° F)



**WD-40
SPECIALIST**
**MACHINE AND ENGINE
DEGREASER FOAMING SPRAY**
01206

- Deep penetrating foaming action
- Quickly removes dirt, grease, and grime to make machine and equipments last longer and look new
- Powerful stream sprays up to 5 feet



**WD-40
SPECIALIST**
**SPRAY & STAY GEL
LUBRICANT**
02221

- Prevents rust for up to 1 year
- Thick gel lubricant
- Stays where you spray it
- 12x longer lasting lubrication
- No drip, No mess
- Ideal for vertical surfaces
- 50-state VOC compliant



**WD-40
SPECIALIST**
**INDUSTRIAL STRENGTH
DEGREASER 425G**
02220

- Water-based formula that makes equipment run smoother, last longer and look like new
- Quickly removes grease, oil, dirt and grime
- Deep penetrating action and a powerful stream that sprays up to five feet



wd40.ca
3inone.ca



3-IN-ONE
RV Care
SLIDE OUT SILICONE 311G
02238

- Features a quick-dry, clear protective film with no messy residue that doesn't attract dirt
- Lubricates, waterproofs and protects against rust and corrosion
- Safe to use on rubber, vinyl and plastic



3-IN-ONE
RV Care
RUBBER SEAL CONDITIONER 311G
02290

- Contains UV inhibitors which help prevent cracking and fading
- Long lasting water resistant formula helps reduce friction and wear



3-IN-ONE
RV Care
WINDOW & TRACK DRY LUBE 283G
02245

- Provides long-lasting corrosion protection against the elements, helping to prevent future repairs
- Safe to use on most materials, including vinyl and plastic (except clear polycarbonate and polystyrene)
- Helps keep your RV windows and doors sliding smoothly and silently



3-IN-ONE
MULTI-PURPOSE DRIP
01135 88.7ml
01138 236ml

3-IN-ONE®, with its special drip spout, is perfect for applications that require precise control for lubrication and rust prevention.

THE NEW MARKSMAN TWIST SPOUT
01216

- Ergonomically shaped for ease of use and balance



PRODUCT BENEFITS AND FEATURES:

- 3-IN-ONE GARAGE DOOR LUBE** - 311g
 - High performance lubrication for pulleys, bearings, springs, chains and door tracks. No oily mess. Works fast, quick drying.
- 3-IN-ONE SILICONE SPRAY** - 311g
 - Ideal for metal-to-metal applications, preventing rust and corrosion, sprays evenly as a liquid and sets dry for a thick, protective coating that won't wash off, high performance lubrication
 - Quick drying, no mess formula
- 3-IN-ONE PENETRANT SPRAY** - 311g
 - Fast acting formula, loosens stuck parts, frees rusted nuts and bolts
 - Ideal for use on nuts, bolts, threads, links, chains and rusted things that are stuck and won't move
- 3-IN-ONE WHITE LITHIUM GREASE SPRAY** - 290g
 - Dries fast and leaves a clear, non-staining film without stickiness or messy residue, safe for temperature ranges between - 73°C to 260°C, non drip formula, water and heat resistant
 - Prevents rust and corrosion; long lasting, heavy duty lubricant

GARAGE DOOR LUBE
SILICONE LUBRICANT
HIGH PERFORMANCE PENETRANT
WHITE LITHIUM GREASE

02252
01141
01140
01142



PIT®

Performance Tool



SAME TASK TOOLS - merchandised together to increase sales productivity and overall look.



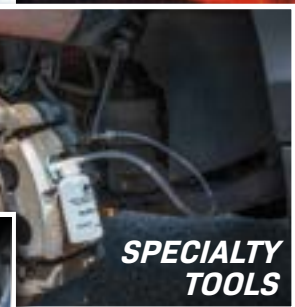
PROFESSIONAL HAND TOOLS



LUBRICATION



BATTERY SERVICE



SPECIALTY TOOLS



CARGO CONTROL



LIGHTING SOLUTIONS

An extensive variety of tools and accessories across over 4500 sku's

New 240,000 sq. foot distribution facility in Kent, WA

Third party testing to ensure quality products

Lifetime warranty attributes offered on many of our tools across the line



worx.ca



PREMIUM PERFORMANCE • SAFER FOR USERS • GREEN CERTIFIED • COST EFFECTIVE

PART #	PRODUCT
WORX BIODEGRADABLE HAND CLEANER	
11-12 24	Biodegradable Hand Cleaner 1.85 oz (5 2.5 g.)
11-1104	Biodegradable Hand Cleaner 1 lb. (454 g.)
11- 2300	Biodegradable Hand Cleaner Stand-Up Pouch 3 lb (1362 g.)
11-2450	Biodegradable Hand Cleaner Stand-Up Pouch 4.5 lb (2040 g.)
11-1650-12	Biodegradable Hand Cleaner 6.5 oz. (184 g.)
11-9930	Reservoir Dispenser Accessory for use 11-9995 and 11-9999 (opt)
11-9965	Biodegradable Hand Cleaner - 1 lb. Dispenser
11-9997	Easy-Fill Dispenser
WORX WATERLESS HAND SOAP & DISPENSER	
36-0432	Power Clean Waterless Hand Soap 32 oz. (945 ml.)
36-0401	Power Clean Waterless Hand Soap 1 Gallon (3.78 L)
26-9999	Walmart Dispenser (Gallon)
WORX POWER CLEAN LIQUID HAND CLEANER & DISPENSERS	
47-10 24	Power Clean Liquid Hand Soap 3.38 oz (100 ml.)
47-0613	Power Clean Liquid Hand Soap 13 oz. (384 ml.)
47-0432	Power Clean Liquid Hand Soap 32 oz. (945 ml.)
47-0401	Power Clean Liquid Hand Soap 1 Gallon (3.78 L)
47-9990	Power Clean Manual Wall Mount Liquid Dispenser (1000 ml.)
47-9995	Power Clean Automatic Countertop Liquid Dispenser (400 ml.)
47-9999	Power Clean Automatic Wall Mount Liquid Dispenser (600 ml.)
WORX POWER CLEAN FOAM HAND CLEANER AND DISPENSERS	
48-0613	Power Clean Foam Hand Soap 13 oz. (384 ml.)
48-0432	Power Clean Foam Hand Soap 32 oz. (945 ml.)
48-0401	Power Clean Foam Hand Soap 1 Gallon (3.78 L)
48-9995	Power Clean Automatic Countertop Foam Dispenser (250 ml.)
48-9999	Power Clean Automatic Wall Mount Foam Dispenser (600 ml.)
WORX POWER CLEAN LIQUID HAND SANITIZER	
49-0613	Power Clean Hand Sanitizer 13 oz. (384 ml.)
ATTAX PRODUCTS & DISPENSERS	
17-0401	ATTAX Light-Duty 4 bottles x 1 gal. (3.78 L.)
18-0401	ATTAX Heavy-Duty 4 bottles x 1 gal. (3.78 L.)
11-9955	WORX Closed Loop System
11-9956	Foamer
11-9957	Bottle Inserts
11-9958	Hose
19-1216	ATTAX Heavy-Duty Spray Degreaser 16 oz. (450 g.)

PRODUCT	SUPPLIER	PAGE
A/C Chemicals.....	FMSI	24
A/C Fittings	FMSI	23
Abrasives.....	Norton.....	69-70
Adapters.....	FMSI	21
Adhesives.....	Gorilla	27
.....	Loctite.....	57
.....	NLS Products	67
.....	Norton.....	71
.....	Permatex	74
Air Conditioning & Cooling	CPS/UView/MotorVac.....	11-12
Air Fresheners	Little Trees.....	54
Air Purifier.....	Cliplight	8
Anti-Seize	Loctite.....	57
Antifreeze	Prestone.....	84,86,87
Automotive fasteners	H Paulin	41
Batteries	Energizer	19
Battery Blankets.....	Phillips & Temro	80
Battery Cleaner	CRC	13
.....	Permatex	75
Battery connection	Grote.....	36
Battery Protector.....	Permatex	75
Bearing Mount.....	Loctite.....	55
Blades	Irwin Tools	47
Brackets & Hangers	Walker.....	100
Brake Cleaner.....	CRC	13
Brake Fluid	Prestone.....	85
Brake Lines.....	FMSI	21
Brake Lubricant	Permatex	75
Brooms.....	M2 Professional	61-62
Brushes	M2 Professional	61-62
Bug Killer	CRC	14
Cable Ties	Pico.....	81
Carpet Stain Remover	WD-40.....	103
Ceramic Cooling System Cleaner	Ironite	42
Chain Oil	Irving Blending & Packaging.....	46
Chains	Ancra	2
Clamps.....	Irwin Tools	47
Cleaners	CRC	13-14
.....	WD-40.....	103,104
.....	Worx.....	107
Cleaning Tools.....	Hopkins.....	40
Cloths.....	Kimberly-Clark	52
Coiled Air Products.....	Grote.....	35
Coils	FMSI	21
Compressor Oil	Milton.....	63
Converters.....	Walker.....	99
Coolants.....	Prestone.....	84,86
Corner Protectors.....	Ancra	1
Couplers	Milton.....	63-64
Crimp Tool.....	Pico.....	83
Cutters.....	Pico.....	83
De-icer, windshield.....	CRC	13
Degreaser.....	CRC	13
.....	Professional Cleaning Equipment	88
.....	WD-40.....	104
.....	Worx.....	107
Detailing.....	ArmorAll	4

PRODUCT	SUPPLIER	PAGE
.....	Lucas Oil.....	59
.....	Permatex.....	76
.....	Professional Cleaning Equipment.....	88
Disinfectant.....	Permatex.....	76
Door Handles.....	Dorman.....	17
Drill Bits.....	Lenox.....	49
Dust Pan.....	M2 Professional.....	61
Dyes.....	Cliplight.....	8
.....	CPS/UView/MotorVac.....	11-12
Electrical.....	Grote.....	36
Electrical Tape.....	Permatex.....	74
Enamel.....	Dupli-Color.....	18
Engine Cleaner.....	Irontite.....	42
Engine Repair.....	Rislone.....	93
Engine Treatment.....	Rislone.....	92
Epoxy.....	J-B Weld.....	50-51
.....	NLS Products.....	68
.....	Permatex.....	74
Exhaust.....	Walker.....	99-102
Exhaust Fluid.....	Irving Blending & Packaging.....	45
Fittings.....	FMSI.....	22
.....	Milton.....	63-64
Flashlights.....	Energizer.....	19
Floor Signs.....	M2 Professional.....	61
Fluid Film.....	NLS Products.....	66
Fuel Additives.....	CRC.....	13-14
.....	Lucas Oil.....	58-89
.....	Rislone.....	94
Fuel Transfer Pumps.....	GPI.....	29-30
Fuse Products.....	Grote.....	35
Fuses.....	Bussmann.....	7
.....	Pico.....	81-82
Garage Floor Cleaner.....	Permatex.....	76
Garbage Bags.....	Ralston.....	90
Gasket Maker.....	J-B Weld.....	51
.....	Loctite.....	56
.....	Permatex.....	73-74
Gasket Repair.....	Rislone.....	92
Gauges.....	Milton.....	64
Gear Oil.....	Irving Blending & Packaging.....	45
Glass Cleaner.....	CRC.....	13
.....	Permatex.....	76
.....	Professional Cleaning Equipment.....	88
Gloves.....	Groupe BBH.....	37-38
Grease.....	CRC.....	13-14
.....	Irving Blending & Packaging.....	45
.....	Loctite.....	57
.....	WD-40.....	104-105
Hand Cleaners.....	Kimberly-Clark.....	53
.....	Permatex.....	76
.....	Worx.....	107
Hand Cream.....	Gorilla.....	27
Hand Pump.....	GPI.....	29
Handy Paks.....	H Paulin.....	41
Headlights.....	Energizer.....	19
.....	Sylvania.....	96

PRODUCT	SUPPLIER	PAGE
Heat magnet.....	Phillips & Temro.....	80
Heaters.....	Phillips & Temro.....	77-80
Hole Saw Kits.....	Lenox.....	49
Horns.....	Fiamm.....	20
Hose (fuel).....	GPI.....	30
Hose fittings & adapters.....	Dayco.....	15
Hoses.....	Continental.....	10
.....	Dayco.....	15
Hydraliners.....	Phillips & Temro.....	77
Hydraulic Adapters.....	FMSI.....	22
Hydraulic Oil.....	Irving Blending & Packaging.....	45
Leak Detection.....	Cliplight.....	8
.....	CPS/UView/MotorVac.....	11-12
Leak Repair.....	Rislone.....	91-92
Lifting Slings.....	Ancra.....	3
Lighting.....	Cliplight.....	8-9
.....	Grote.....	31-32
LIT Plug Kits.....	Phillips & Temro.....	78
Load Binders.....	Ancra.....	2
Lubrication.....	CRC.....	13-14
.....	CRC.....	14
.....	WD-40.....	103-104
Motor Oil.....	Irving Blending & Packaging.....	43
.....	Lucas Oil.....	59
.....	Mobil 1.....	65
Mud Flaps.....	Triple C.....	98
Needle Valves.....	FMSI.....	22
Nozzle.....	GPI.....	30
Oil Drip.....	WD-40.....	105
Paint (caliper).....	Dupli-Color.....	18
Paint (engine).....	Dupli-Color.....	18
Parts Cleaner.....	Permatex.....	76
Penetrants.....	CRC.....	14
Penetrating Oil.....	NLS Products.....	67
Pliers.....	Irwin Tools.....	47-48
Plugs.....	Milton.....	63-64
Power Protection.....	Grote.....	36
Power Steering Fluids.....	Lucas Oil.....	59
.....	Prestone.....	85
Primers.....	Dupli-Color.....	18
Protective Sheeting.....	Norton.....	71
Radiator Sealant.....	Irontite.....	42
Ratchet Straps.....	Ancra.....	3
Ratchet Tie Downs.....	Ancra.....	3
Recovery Straps.....	Ancra.....	3
Repair Fluids.....	Rislone.....	93-94
Rope.....	Groupe BBH.....	38
Rust Converter.....	Rust Check.....	95
Rust Paint.....	Rust Check.....	95
Rust Prevention.....	Rust Check.....	95
Rust Protector.....	Dupli-Color.....	18
Rust Treatment.....	NLS Products.....	67
Safety.....	Grote.....	34
.....	Hopkins.....	39
Safety Glasses.....	Groupe BBH.....	38
Saw Blades.....	Lenox.....	49
Sealant.....	Permatex.....	74

PRODUCT	SUPPLIER	PAGE
Sealant (Tire).....	NLS Products	66
Shovel.....	Hopkins.....	39
Silicone.....	Loctite.....	56
Snowbrooms.....	Hopkins.....	39
Snowbrushes.....	Hopkins.....	39
Soldering.....	Pico.....	83
Springs.....	Irwin Tools.....	48
Squeegees.....	Hopkins.....	40
.....	M2 Professional.....	62
Stainless Steel Cleaner.....	Permatex.....	76
Stop Leak.....	Lucas Oil.....	58
Switches.....	Pico.....	82-83
Tape.....	Pico.....	81,83
Tees.....	FMSI.....	21
Terminals.....	Pico.....	82
Terminals & Connectors.....	Grote.....	35
Test Strips.....	NLS Products.....	68
Threadlocker.....	J-B Weld.....	51
.....	Loctite.....	55-56
.....	Permatex.....	73
Tissue.....	Kimberly-Clark.....	53
Toilet Bowl Cleaner.....	WD-40.....	103
Torches.....	Bernzomatic.....	6
.....	Pico.....	83
Towels.....	Kimberly-Clark.....	52
Tractor Fluid.....	Irving Blending & Packaging.....	46
Trailer Brake Assemblies.....	PTC.....	89
Trailer Connections.....	Grote.....	36
Trailer Hub Kits.....	PTC.....	89
Transmission Fluid.....	Irving Blending & Packaging.....	44,46
.....	Lucas Oil.....	59
.....	Mobil 1.....	65
Trigger Sprayer.....	M2 Professional.....	61
Tube Nuts.....	FMSI.....	21
Tubing.....	Pico.....	82
.....	Walker.....	101
Undercoating.....	CRC.....	14
.....	Dupli-Color.....	18
.....	Rust Check.....	95
Unions.....	FMSI.....	21
Urinal Screen.....	M2 Professional.....	61
Utlitiy Knives.....	Irwin Tools.....	47
Valve Caps.....	Milton.....	63
Washer Nozzles.....	Dorman.....	16
Welding Supplies.....	Forney.....	25-26
Wheel Chock.....	Triple C.....	98
Wheel Coating.....	Dupli-Color.....	18
Wheel Nuts.....	H Paulin.....	41
Wheel Weights.....	Perfect Equipment.....	72
Winches.....	Ancra.....	1
Wipes.....	ArmorAll.....	5
Wipes.....	Kimberly-Clark.....	52
Wire & Cable.....	Grote.....	35
Worklights.....	Cliplight.....	8-9
Worklights.....	Energizer.....	19
Worklights.....	Grote.....	33
Wrenches.....	Irwin Tools.....	48